

1.2A High Efficiency Buck-Boost Regulator

ISL9110A

The ISL9110A is a highly-integrated Buck-Boost switching regulator that accepts input voltages either above or below the regulated output voltage. Unlike other Buck-Boost regulators, this regulator automatically transitions between operating modes without significant output disturbance.

This part is capable of delivering up to 1.2A output current, and provides excellent efficiency due to its fully synchronous 4-switch architecture. No-load quiescent current of only 35µA also optimizes efficiency under light-load conditions. Forced PWM and/or synchronization to an external clock may also be selected for noise sensitive applications.

The ISL9110A is designed for standalone applications and supports 3.3V and 5V fixed output voltages or variable output voltages with an external resistor divider. Output voltages as low as 1V, or as high as 5.2V are supported using an external resistor divider.

The ISL9110A requires only a single inductor and very few external components. Power supply solution size is minimized by a 2.4mm x 1.6mm WLCSP package and a 2.5MHz switching frequency, which further reduces the size of external components.

Features

- Accepts Input Voltages Above or Below Regulated Output Voltage
- Automatic and Seamless Transitions Between Buck and Boost Modes
- Input Voltage Range: 1.8V to 5.5V
- Output Current: Up to 1.2A
- High Efficiency: Up to 95%
- 35µA Quiescent Current Maximizes Light-load Efficiency
- 2.5MHz Switching Frequency Minimizes External Component Size
- Selectable Forced-PWM Mode and External Synchronization
- Fully Protected for Overcurrent, Over-temperature and Undervoltage
- Small 2.4mmx1.6mm WLCSP Package

Applications

- Regulated 3.3V from a Single Li-Ion Battery
- Smart Phones and Tablet Computers
- Handheld Devices
- Point-of-Load Regulators

Related Literature

- See [AN1750](#) "ISL9110A Evaluation Board User Guide"

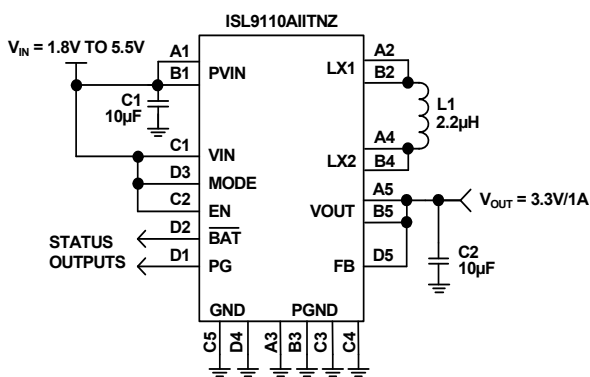


FIGURE 1. TYPICAL APPLICATION

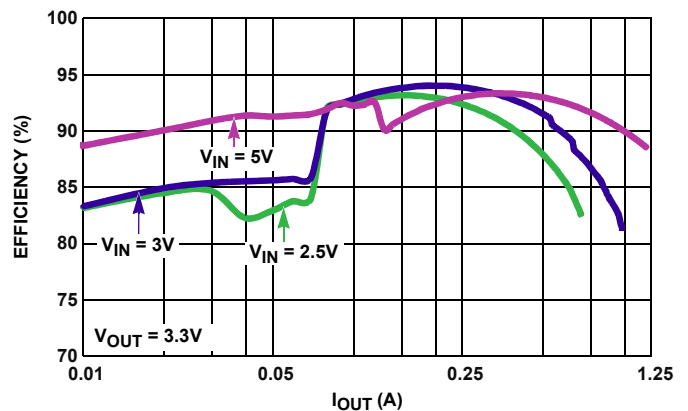
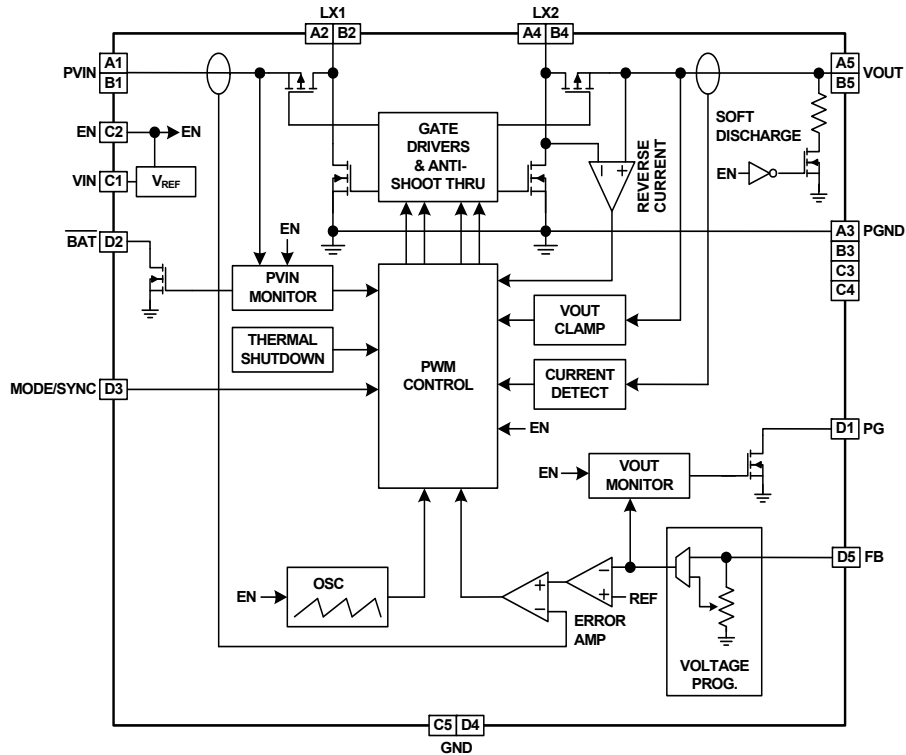


FIGURE 2. EFFICIENCY

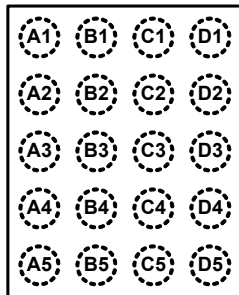
ISL9110A

Block Diagram



Pin Configurations

ISL9110A
(20 BALL WLCSP)
TOP VIEW



Pin Descriptions

| PIN # | PIN NAMES | DESCRIPTION |
|----------------|-------------------------|---|
| A5, B5 | VOUT | Buck/boost output. Connect a 10 μ F capacitor to PGND. |
| A4, B4 | LX2 | Inductor connection, output side. |
| A3, B3, C3, C4 | PGND | Power ground for high switching current. |
| A2, B2 | LX1 | Inductor connection, input side. |
| A1, B1 | PVIN | Power input. Range: 1.8V to 5.5V. Connect a 10 μ F capacitor to PGND. |
| C1 | VIN | Supply input. Range: 1.8V to 5.5V. |
| D1 | PG | Open drain output. Provides output-power-good status. |
| D2 | $\overline{\text{BAT}}$ | Open drain output. Provides input-power-good status. |
| C2 | EN | Logic input, drive high to enable device. |
| D3 | MODE/ SYNC | Logic input, high for auto PFM mode. Low for forced PWM operation. Ext. clock sync input. Range: 2.75MHz to 3.25MHz. |
| C5, D4 | GND | Analog ground pin. |
| D5 | FB | Voltage feedback pin. |

ISL9110A

Ordering Information

| PART NUMBER (Note 3) | PART MARKING | V _{OUT} (V) | TEMP RANGE (°C) | PACKAGE Tape and Reel (Pb-free) | PKG. DWG. # |
|-----------------------------|------------------|-------------------------|--------------------|---------------------------------------|----------------|
| ISL9110AITNZ-T (Notes 1, 2) | DZBE | 3.3 | -40 to +85 | 20 Ball WLCSP | W4x5.20A |
| ISL9110AITAZ-T (Notes 1, 2) | DZBD | ADJ | -40 to +85 | 20 Ball WLCSP | W4x5.20A |
| ISL9110AITNZ-EVAL1Z | Evaluation Board | | | | |
| ISL9110AITAZ-EVAL1Z | Evaluation Board | | | | |

NOTES:

1. Please refer to [TB347](#) for details on reel specifications.
2. These Intersil Pb-free WLCSP and BGA packaged products employ special Pb-free material sets; molding compounds/die attach materials and SnAgCu - e1 solder ball terminals, which are RoHS compliant and compatible with both SnPb and Pb-free soldering operations. Intersil Pb-free WLCSP and BGA packaged products are MSL classified at Pb-free peak reflow temperatures that meet or exceed the Pb-free requirements of IPC/JEDEC J STD-020.
3. For Moisture Sensitivity Level (MSL), please see device information page for [ISL9110A](#). For more information on MSL please see techbrief [TB363](#).

Table of Contents

| | |
|--|-----------|
| Applications | 1 |
| Related Literature | 1 |
| Block Diagram | 2 |
| Pin Descriptions | 2 |
| Absolute Maximum Ratings | 5 |
| Thermal Information | 5 |
| Recommended Operating Conditions | 5 |
| Analog Specifications | 5 |
| Typical Performance Curves | 7 |
| Functional Description | 11 |
| Functional Overview | 11 |
| Internal Supply and References | 11 |
| Enable Input | 11 |
| Soft Discharge | 11 |
| POR Sequence and Soft-start | 11 |
| Overcurrent Protection | 11 |
| Short Circuit Protection | 11 |
| Undervoltage Lockout | 11 |
| PG Status Output | 11 |
| BAT Status Output | 11 |
| Ultrasonic Mode (Available Upon Request) | 11 |
| Thermal Shutdown | 12 |
| External Synchronization | 12 |
| Buck-Boost Conversion Topology | 12 |
| PWM Operation | 12 |
| PFM Operation | 12 |
| Operation With VIN Close to VOUT | 12 |
| Output Voltage Programming | 12 |
| Applications Information | 12 |
| Component Selection | 12 |
| Output Voltage Programming, Adj. Version | 13 |
| Feed-Forward Capacitor Selection | 13 |
| Non-Adjustable Version FB Pin Connection | 13 |
| Inductor Selection | 13 |
| PVIN and VOUT Capacitor Selection | 13 |
| Application Example 1 | 13 |
| Application Example 2 | 13 |
| Recommended PCB Layout | 13 |
| Revision History | 15 |
| Products | 15 |
| Package Outline Drawing | 16 |

ISL9110A

Absolute Maximum Ratings

| | |
|--|---------------|
| PVIN, VIN | -0.3V to 6.5V |
| LX1, LX2 (Note 6) | -0.3V to 6.5V |
| FB (Adjustable Version) | -0.3V to 2.7V |
| FB (Fixed V _{OUT} Versions) | -0.3V to 6.5V |
| GND, PGND | -0.3V to 0.3V |
| All Other Pins | -0.3V to 6.5V |
| ESD Rating | |
| Human Body Model (Tested per JESD22-A114E) | 3kV |
| Machine Model (Tested per JESD22-A115-A) | 250V |
| Latch Up (Tested per JESD-78B; Class 2, Level A) | 100mA |

Thermal Information

| | | |
|------------------------------------|---|----------------------|
| Thermal Resistance (Typical) | θ_{JA} (°C/W) | θ_{JC} (°C/W) |
| 20 Ball WLSCP Package (Notes 4, 5) | 66 | 1 |
| Maximum Junction Temperature | +125°C | |
| Storage Temperature Range | -65°C to +150°C | |
| Pb-Free Reflow Profile | see link below http://www.intersil.com/pbfree/Pb-FreeReflow.asp | |

Recommended Operating Conditions

| | |
|---------------------------|----------------|
| Ambient Temperature Range | -40°C to +85°C |
| Supply Voltage Range | 1.8V to 5.5V |
| Load Current Range | 0A to 1.2A |

CAUTION: Do not operate at or near the maximum ratings listed for extended periods of time. Exposure to such conditions may adversely impact product reliability and result in failures not covered by warranty.

NOTES:

- θ_{JA} is measured in free air with the component mounted on a high effective thermal conductivity test board with “direct attach” features. See Tech Brief [TB379](#)
- For θ_{JC} , the “case temp” location is taken at the package top center.
- LX1 and LX2 pins can withstand switching transients of -1.5V for 100ns, and 7V for 20ms.

Analog Specifications $V_{IN} = V_{PVIN} = V_{EN} = 3.6V$, $V_{OUT} = 3.3V$, $L1 = 2.2\mu H$, $C1 = C2 = 10\mu F$, $T_A = +25^\circ C$. **Boldface limits apply over the operating temperature range, -40°C to +85°C.**

| SYMBOL | PARAMETER | TEST CONDITIONS | MIN (Note 7) | TYP (Note 8) | MAX (Note 7) | UNITS |
|---|--|--|--------------|--------------|--------------|-------|
| POWER SUPPLY | | | | | | |
| V _{IN} | Input Voltage Range | | 1.8 | | 5.5 | V |
| V _{UVLO} | V _{IN} Undervoltage Lockout Threshold | Rising | | 1.725 | 1.775 | V |
| | | Falling | 1.550 | 1.650 | | V |
| I _{VIN} | V _{IN} Supply Current | PFM mode, no external load on Vout (Note 9) | | 35 | 60 | μA |
| I _{SD} | V _{IN} Supply Current, Shutdown | EN = GND, V _{IN} = 3.6V | | 0.05 | 1.0 | μA |
| OUTPUT VOLTAGE REGULATION | | | | | | |
| V _{OUT} | Output Voltage Range | ISL9110AITAZ, I _{OUT} = 100mA | 1.00 | | 5.20 | V |
| | Output Voltage Accuracy | V _{IN} = 3.7V, V _{OUT} = 3.3V, I _{OUT} = 0mA, PWM mode | -2 | | +2 | % |
| | | V _{IN} = 3.7V, V _{OUT} = 3.3V, I _{OUT} = 1mA, PFM mode | -3 | | +4 | % |
| V _{FB} | FB Pin Voltage Regulation | For adjustable output version | 0.79 | 0.80 | 0.81 | V |
| I _{FB} | FB Pin Bias Current | For adjustable output version | | | 1 | μA |
| $\frac{\Delta V_{OUT}}{\Delta V_{IN}}$ | Line Regulation, PWM Mode | I _{OUT} = 500mA, V _{OUT} = 3.3V, MODE = GND, V _{IN} step from 2.3V to 5.5V | | ±0.005 | | mV/mV |
| $\frac{\Delta V_{OUT}}{\Delta I_{OUT}}$ | Load Regulation, PWM Mode | V _{IN} = 3.7V, V _{OUT} = 3.3V, MODE = GND, I _{OUT} step from 0mA to 500mA | | ±0.005 | | mV/mA |
| $\frac{\Delta V_{OUT}}{\Delta V_I}$ | Line Regulation, PFM Mode | I _{OUT} = 100mA, V _{OUT} = 3.3V, MODE = V _{IN} , V _{IN} step from 2.3V to 5.5V | | ±12.5 | | mV/V |
| $\frac{\Delta V_{OUT}}{\Delta I_{OUT}}$ | Load Regulation, PFM Mode | V _{IN} = 3.7V, V _{OUT} = 3.3V, MODE = V _{IN} , I _{OUT} step from 0mA to 100mA | | ±0.4 | | mV/mA |
| V _{CLAMP} | Output Voltage Clamp | Rising, V _{IN} = 3.6V | 5.25 | | 5.95 | V |
| | Output Voltage Clamp Hysteresis | V _{IN} = 3.6V | | 400 | | mV |
| DC/DC SWITCHING SPECIFICATIONS | | | | | | |
| f _{SW} | Oscillator Frequency | | 2.25 | 2.50 | 2.75 | MHz |
| t _{ONMIN} | Minimum On Time | | | 80 | | ns |
| I _{PFLEAK} | LX1 Pin Leakage Current | | -1 | | 1 | μA |
| I _{NFLEAK} | LX2 Pin Leakage Current | | -1 | | 1 | μA |

ISL9110A

Analog Specifications $V_{IN} = V_{PVIN} = V_{EN} = 3.6V$, $V_{OUT} = 3.3V$, $L1 = 2.2\mu H$, $C1 = C2 = 10\mu F$, $T_A = +25^\circ C$. **Boldface limits apply over the operating temperature range, $-40^\circ C$ to $+85^\circ C$. (Continued)**

| SYMBOL | PARAMETER | TEST CONDITIONS | MIN (Note 7) | TYP (Note 8) | MAX (Note 7) | UNITS |
|---|---|--|-----------------|-----------------|-----------------|-------|
| SOFT-START and SOFT DISCHARGE | | | | | | |
| t _{SS} | Soft-start Time | Time from when EN signal asserts to when output voltage ramp starts. | | 1 | | ms |
| | | Time from when output voltage ramp starts to when output voltage reaches 95% of its nominal value with device operating in buck mode. $V_{IN} = 4V$, $V_{OUT} = 3.3V$, $I_O = 200mA$ | | 1 | | ms |
| | | Time from when output voltage ramp starts to when output voltage reaches 95% of its nominal value with device operating in boost mode. $V_{IN} = 2V$, $V_{OUT} = 3.3V$, $I_O = 200mA$ | | 2 | | ms |
| R _{DISCHG} | V _{OUT} Soft-Discharge ON-Resistance | $V_{IN} = 3.6V$, EN < V _{IL} | | 120 | | Ω |
| POWER MOSFET | | | | | | |
| R _{DS(on)_P} | P-Channel MOSFET ON-Resistance | $V_{IN} = 3.6V$, $I_O = 200mA$ | | 0.10 | 0.17 | Ω |
| | | $V_{IN} = 2.5V$, $I_O = 200mA$ | | 0.13 | 0.23 | Ω |
| R _{DS(on)_N} | N-Channel MOSFET ON-Resistance | $V_{IN} = 3.6V$, $I_O = 200mA$ | | 0.09 | 0.15 | Ω |
| | | $V_{IN} = 2.5V$, $I_O = 200mA$ | | 0.11 | 0.23 | Ω |
| I _{PK_LMT} | P-Channel MOSFET Peak Current Limit | $V_{IN} = 3.6V$ | 2.0 | 2.4 | 2.8 | A |
| PFM/PWM TRANSITION | | | | | | |
| | Load Current Threshold, PFM to PWM | $V_{IN} = 3.6V$, $V_{OUT} = 3.3V$ | | 200 | | mA |
| | Load Current Threshold, PWM to PFM | $V_{IN} = 3.6V$, $V_{OUT} = 3.3V$ | | 75 | | mA |
| | External Synchronization Frequency Range | | 2.75 | | 3.25 | MHz |
| | Thermal Shutdown | | | 155 | | °C |
| | Thermal Shutdown Hysteresis | | | 30 | | °C |
| BATTERY MONITOR AND POWER GOOD COMPARATORS | | | | | | |
| V _{T_{BMON}} | Battery Monitor Voltage Threshold | | 1.85 | 2.0 | 2.15 | V |
| V _{H_{BMON}} | Battery Monitor Voltage Hysteresis | | | 100 | | mV |
| t _{BMON} | Battery Monitor Debounce Time | | | 25 | | μs |
| | PG Delay Time (Rising) | | | 1 | | ms |
| | PG Delay Time (Falling) | | | 20 | | μs |
| | Minimum Supply Voltage for Valid PG Signal | EN = V _{IN} | 1.2 | | | V |
| PG _{RNGLR} | PG Range - Lower (Rising) | Percentage of programmed voltage | | 90 | | % |
| PG _{RNFLF} | PG Range - Lower (Falling) | Percentage of programmed voltage | | 87 | | % |
| PG _{RNGUR} | PG Range - Upper (Rising) | Percentage of programmed voltage | | 112 | | % |
| PG _{RNGUF} | PG Range - Upper (Falling) | Percentage of programmed voltage | | 110 | | % |
| | Compliance Voltage - PG, \overline{BAT} | $V_{IN} = 3.6V$, $I_{SINK} = 1mA$ | | | 0.3 | V |
| LOGIC INPUTS | | | | | | |
| I _{LEAK} | Input Leakage | | | 0.05 | 1 | μA |
| V _{IH} | Input HIGH Voltage | | 1.4 | | | V |
| V _{IL} | Input LOW Voltage | | | | 0.4 | V |

NOTES:

- Parameters with MIN and/or MAX limits are 100% tested at +25°C, unless otherwise specified. Temperature limits established by characterization and are not production tested.
- Typical values are for T_A = +25°C and V_{IN} = 3.6V.
- Quiescent current measurements are taken when the output is not switching.

Typical Performance Curves

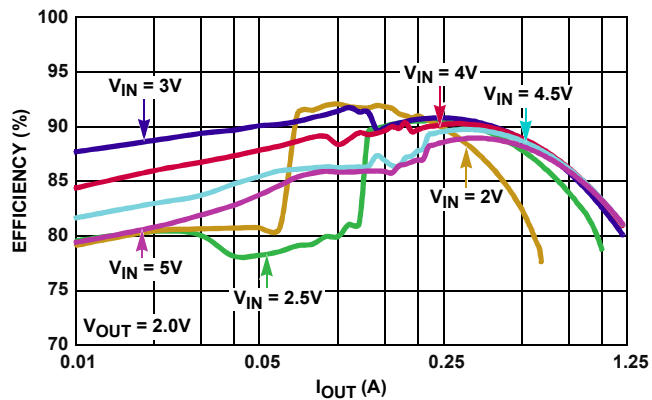


FIGURE 3. EFFICIENCY vs OUTPUT CURRENT, $V_{OUT} = 2V$

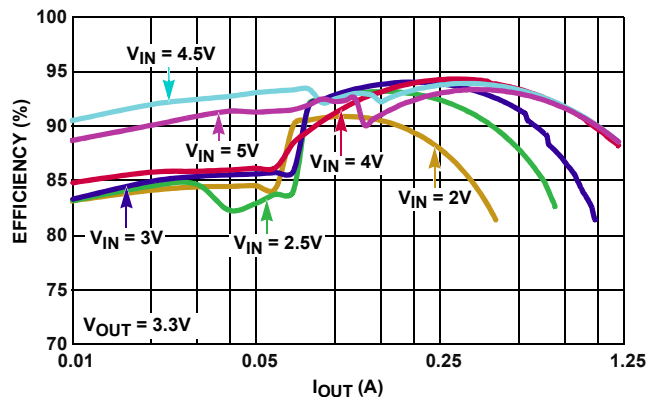


FIGURE 4. EFFICIENCY vs OUTPUT CURRENT, $V_{OUT} = 3.3V$

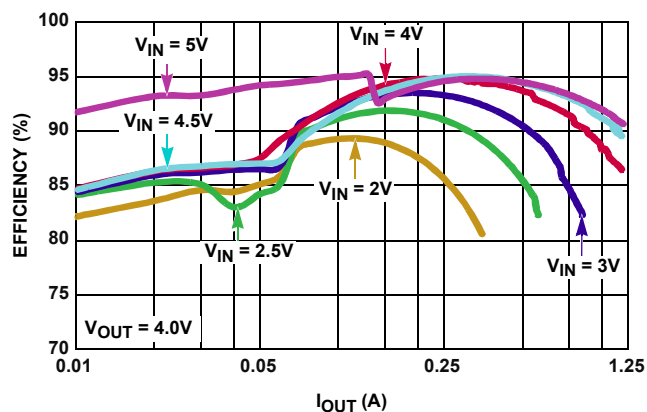


FIGURE 5. EFFICIENCY vs OUTPUT CURRENT, $V_{OUT} = 4V$

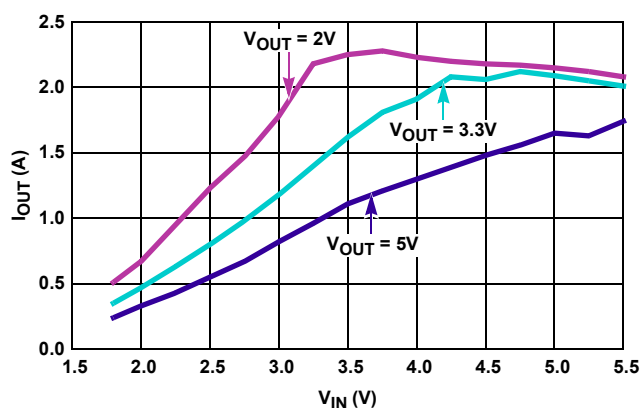


FIGURE 6. MAXIMUM OUTPUT CURRENT vs INPUT VOLTAGE

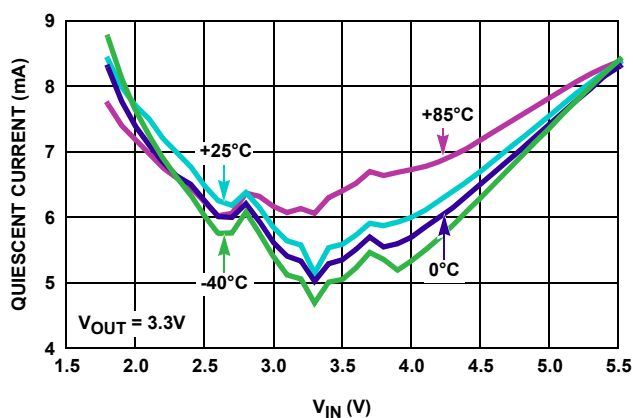


FIGURE 7. PWM MODE QUIESCENT CURRENT, $V_{OUT} = 3.3V$, NO LOAD

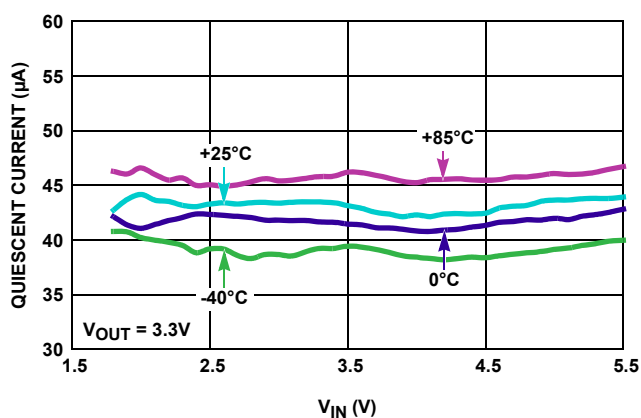


FIGURE 8. PFM MODE QUIESCENT CURRENT, $V_{OUT} = 3.3V$, NO LOAD

Typical Performance Curves (Continued)

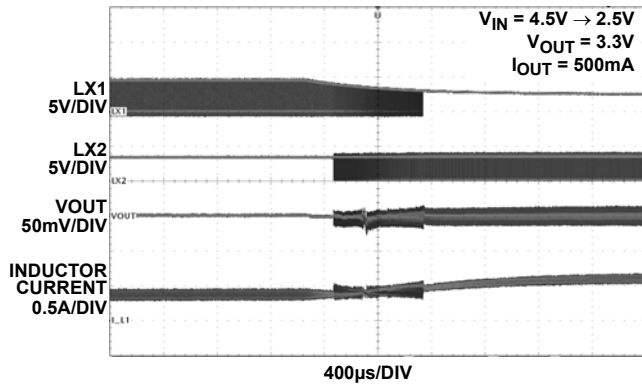


FIGURE 9. STEADY STATE TRANSITION FROM BUCK TO BOOST

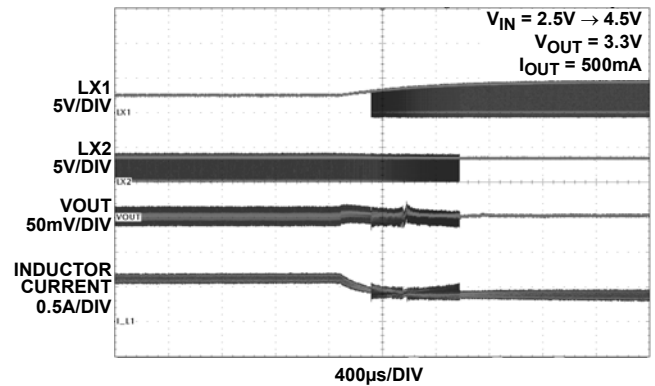


FIGURE 10. STEADY STATE TRANSITION FROM BOOST TO BUCK

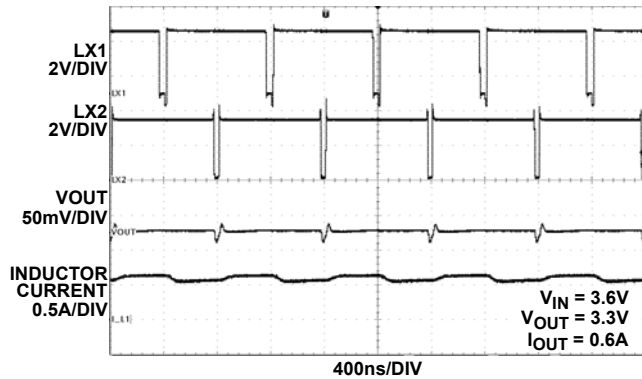


FIGURE 11. STEADY STATE V_{IN} NEAR V_{OUT}

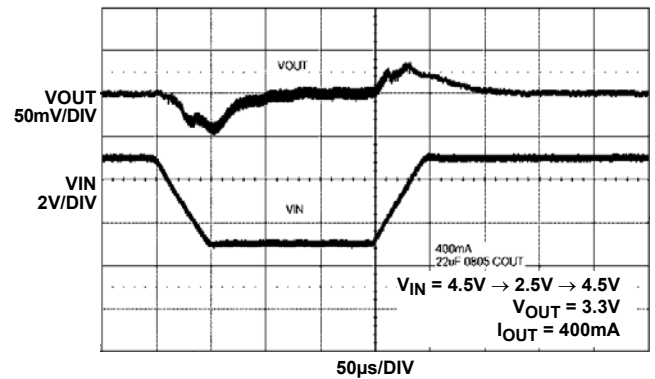


FIGURE 12. INPUT TRANSIENT

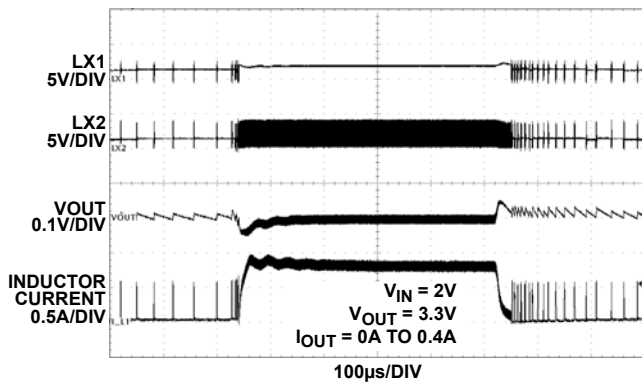


FIGURE 13. TRANSIENT LOAD RESPONSE

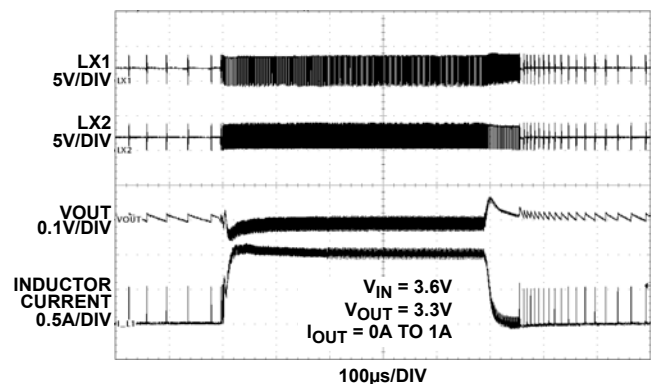


FIGURE 14. TRANSIENT LOAD RESPONSE

Typical Performance Curves (Continued)

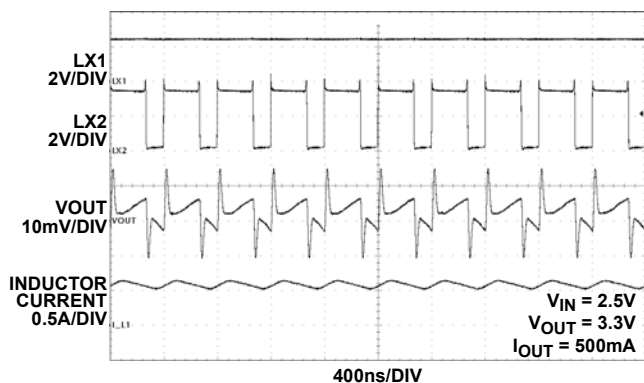


FIGURE 15. SWITCHING WAVEFORMS, BOOST MODE

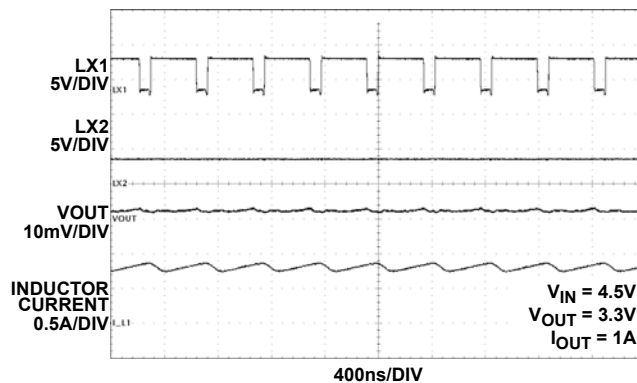


FIGURE 16. SWITCHING WAVEFORMS, BUCK MODE

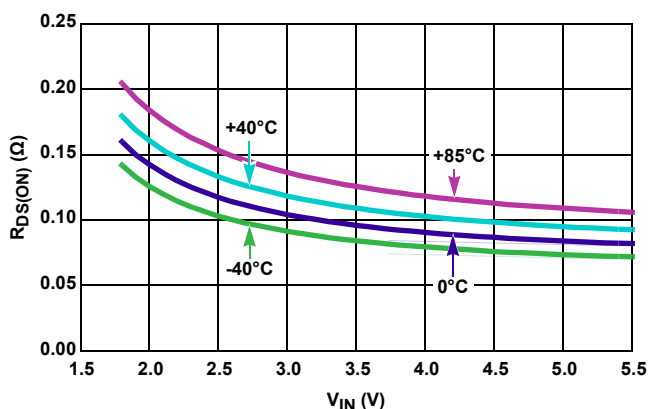


FIGURE 17. NFET $r_{DS(ON)}$ vs INPUT VOLTAGE

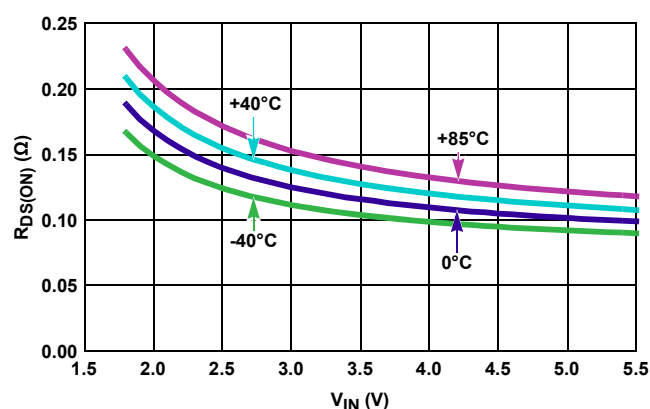


FIGURE 18. PFET $r_{DS(ON)}$ vs INPUT VOLTAGE

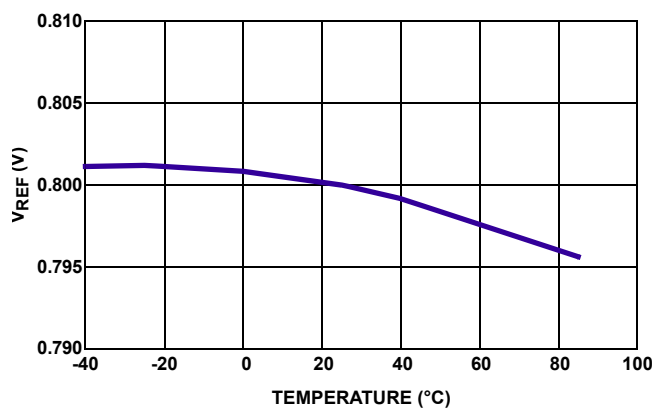


FIGURE 19. V_{REF} vs TEMPERATURE, $T_A = -40^{\circ}\text{C}$ TO $+85^{\circ}\text{C}$

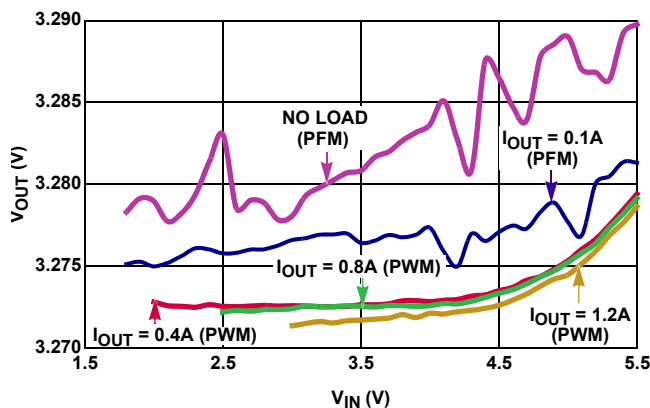


FIGURE 20. OUTPUT VOLTAGE vs V_{IN} VOLTAGE ($V_{OUT} = 3.3\text{V}$)

Typical Performance Curves (Continued)

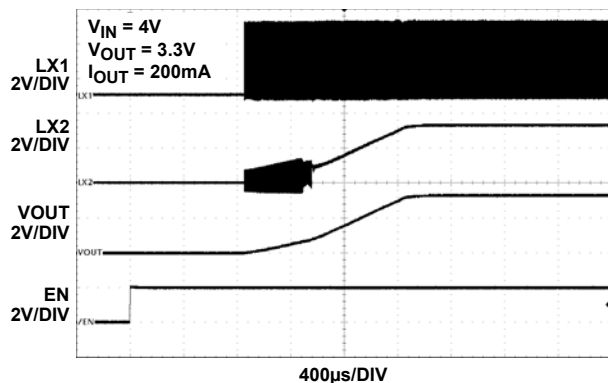


FIGURE 21. SOFT-START, $V_{IN} = 4V$, $V_{OUT} = 3.3V$

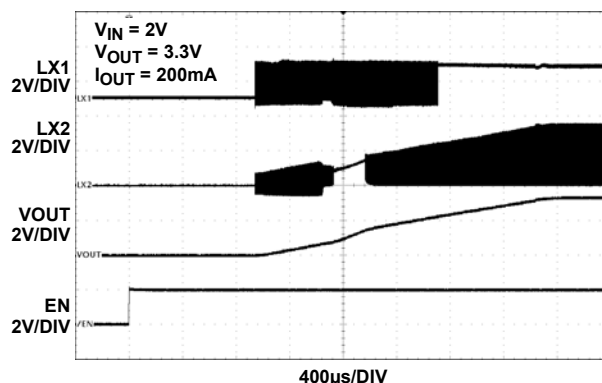


FIGURE 22. SOFT-START, $V_{IN} = 2V$, $V_{OUT} = 3.3V$

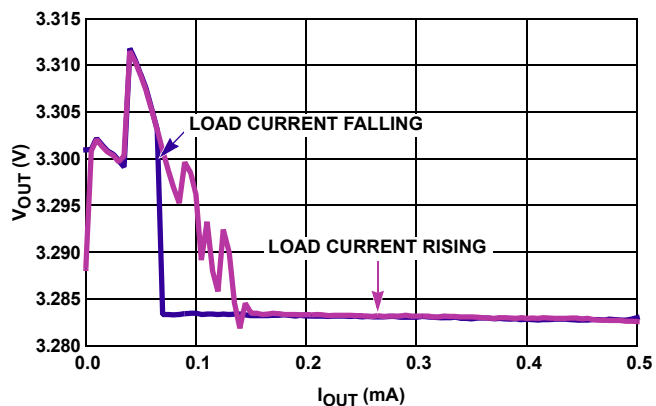


FIGURE 23. OUTPUT VOLTAGE vs LOAD CURRENT ($V_{IN} = 2.5V$, $V_{OUT} = 3.3V$, AUTO PFM/PWM MODE)

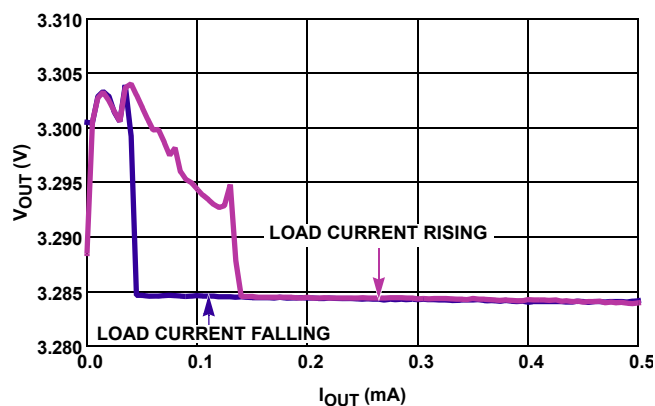


FIGURE 24. OUTPUT VOLTAGE vs LOAD CURRENT ($V_{IN} = 4.5V$, $V_{OUT} = 3.3V$, AUTO PFM/PWM MODE)

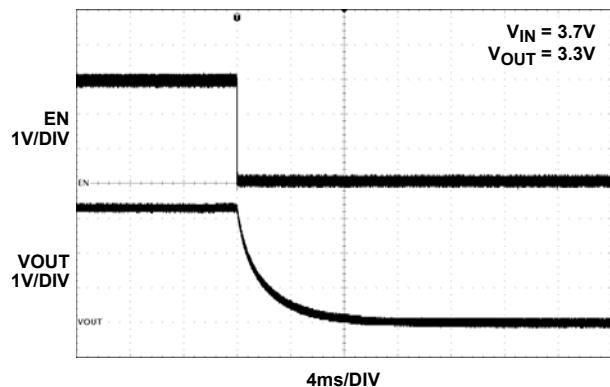


FIGURE 25. OUTPUT SOFT-DISCHARGE

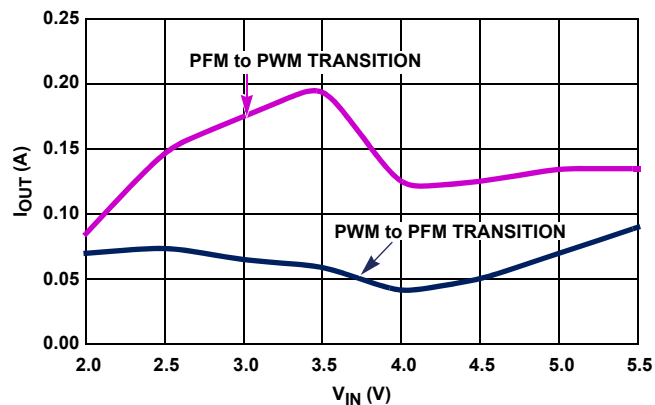


FIGURE 26. PFM to PWM MODE CHANGE THRESHOLD CURRENT vs INPUT VOLTAGE ($V_{OUT} = 3.3V$)

Functional Description

Functional Overview

Refer to the “Block Diagram” on page 2. The ISL9110A implements a complete buck boost switching regulator, with PWM controller, internal switches, references, protection circuitry, and control inputs.

The PWM controller automatically switches between buck and boost modes as necessary to maintain a steady output voltage, with changing input voltages and dynamic external loads.

The ISL9110A provides output-power-good and input-power-good open-drain status outputs on pins 7 and 8.

Internal Supply and References

Referring to the “Block Diagram” on page 2, the ISL9110A provides two power input pins. The PVIN pin supplies input power to the DC/DC converter, while the VIN pin provides operating voltage source required for stable V_{REF} generation. Separate ground pins (GND and PGND) are provided to avoid problems caused by ground shift due to the high switching currents.

Enable Input

A master enable pin EN allows the device to be enabled. Driving EN low invokes a power-down mode, where most internal device functions, including input and output power good detection, are disabled.

Soft Discharge

When the device is disabled by driving EN low, an internal resistor between V_{OUT} and GND is activated. This internal resistor has a typical 120Ω resistance.

POR Sequence and Soft-start

Bringing the EN pin high allows the device to power-up. A number of events occur during the start-up sequence. The internal voltage reference powers up, and stabilizes. The device then starts operating. There is a typical 1ms delay between assertion of the EN pin and the start of switching regulator soft-start ramp.

The soft-start feature minimizes output voltage overshoot and input inrush currents. During soft-start, the reference voltage is ramped to provide a ramping V_{OUT} voltage. While output voltage is lower than approximately 20% of the target output voltage, switching frequency is reduced to a fraction of the normal switching frequency to aid in producing low duty cycles necessary to avoid input inrush current spikes. Once the output voltage exceeds 20% of the target voltage, switching frequency is increased to its nominal value.

When the target output voltage is higher than the input voltage, there will be a transition from buck mode to boost mode during the soft-start sequence. At the time of this transition, the ramp rate of the reference voltage is decreased, such that the output voltage slew rate is decreased. This provides a slower output voltage slew rate.

The V_{OUT} ramp time is not constant for all operating conditions. Soft-start into boost mode will take longer than soft-start into buck mode. The total soft-start time into buck operating mode is

typically 2ms, whereas the typical soft-start time into boost mode operating mode is typically 3ms. Increasing the load current will increase these typical soft-start times.

Overcurrent Protection

When the current in the P-Channel MOSFET is sensed to reach the current limit for 16 consecutive switching cycles, the internal protection circuit is triggered, and switching is stopped for approximately 20ms. The device then performs a soft-start cycle. If the external output overcurrent condition exists after the soft-start cycle, the device will again detect 16 consecutive switching cycles reaching the peak current threshold. The process will repeat as long as the external overcurrent condition is present. This behavior is called ‘hiccup mode’.

Short Circuit Protection

The ISL9110A provides short-circuit protection by monitoring the feedback voltage. When feedback voltage is sensed to be lower than a certain threshold, the PWM oscillator frequency is reduced in order to protect the device from damage. The P-Channel MOSFET peak current limit remains active during this state.

Undervoltage Lockout

The undervoltage lockout (UVLO) feature prevents abnormal operation in the event that the supply voltage is too low to guarantee proper operation. When the V_{IN} voltage falls below the UVLO threshold, the regulator is disabled.

PG Status Output

An open drain output-power-good signal is provided in the ISL9110A. An internal window comparator is used to detect when V_{OUT} is significantly higher or lower than the target output voltage. The PG output will be driven low when sensed V_{OUT} voltage is outside of this ‘power good’ window. When V_{OUT} voltage is inside the ‘power-good’ window, the PG pin goes Hi-Z.

The PG detection circuit detects this condition by monitoring voltage on the FB pin. Hysteresis is provided for the upper and lower PG thresholds to avoid oscillation of the PG output.

BAT Status Output

The ISL9110A provides an open drain input-power-good status output. The \overline{BAT} status pin will be driven low when V_{IN} rises above the V_{TBMON} threshold. The \overline{BAT} status output goes Hi-Z when V_{BAT} falls below the V_{TBMON} threshold. Hysteresis is provided for the V_{TBMON} threshold to avoid oscillation of the \overline{BAT} output.

Ultrasonic Mode (Available Upon Request)

The ISL9110A provides an ultrasonic mode that can be enabled during IC manufacturing upon request.

In ultrasonic mode, the PFM switching frequency is forced to be above the audio frequency range.

This ultrasonic mode applies only to PFM mode operation. When enabled, the PFM mode switching frequency is forced well above the audio frequency range (f_{SW} becomes typically 60kHz). This mode of operation, however, reduces the efficiency at light load.

Output Voltage Programming, Adj. Version

Setting and controlling the output voltage of the ISL9110AITAZ (adjustable output version) can be accomplished by selecting the external resistor values.

Equation 1 can be used to derive the R1 and R2 resistor values:

$$V_{OUT} = 0.8V \cdot \left(1 + \frac{R1}{R2}\right) \quad (\text{EQ. 1})$$

When designing a PCB, include a GND guard band around the feedback resistor network to reduce noise and improve accuracy and stability. Resistors R1 and R2 should be positioned close to the FB pin.

Feed-Forward Capacitor Selection

A small capacitor (C4 in Figure 28) in parallel with resistor R1 is required to provide the specified load and line regulation. The suggested value of this capacitor is 56pF for R1 = 1MΩ. An NPO type capacitor is recommended.

Non-Adjustable Version FB Pin Connection

The fixed output versions of the ISL9110A does not require external resistors or a capacitor on the FB pin. Simply connect V_{OUT} to FB, as shown in Figure 29.

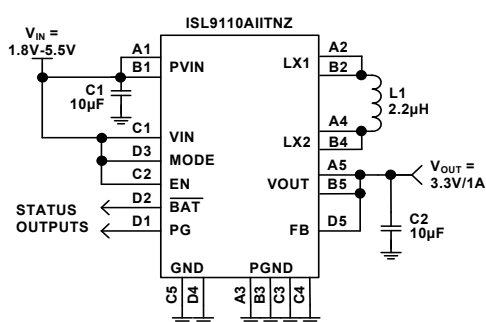


FIGURE 29. TYPICAL ISL9110AITNZ APPLICATION

Inductor Selection

An inductor with high frequency core material (e.g. ferrite core) should be used to minimize core losses and provide good efficiency. The inductor must be able to handle the peak switching currents without saturating.

A 2.2µH inductor with ≥2.4A saturation current rating is recommended. Select an inductor with low DCR to provide good efficiency. In applications where radiated noise must be minimized, a toroidal or shielded inductor can be used.

TABLE 1. INDUCTOR VENDOR INFORMATION

| MANUFACTURER | SERIES | WEBSITE |
|--------------|----------------------------|--|
| Coilcraft | LPS4018 | www.coilcraft.com |
| Murata | LQH44P | www.murata.com |
| Taiyo Yuden | NRS4018 NRS5012 | www.t-yuden.com |
| Sumida | CDRH3D23/HP CDRH4D22/HP | www.sumida.com |
| Toko | DEM3518C | www.toko.co.jp |

PVIN and V_{OUT} Capacitor Selection

The input and output capacitors should be ceramic X5R type with low ESL and ESR. The recommended input capacitor value is 10µF. The recommended V_{OUT} capacitor value is 10µF to 22µF.

TABLE 2. CAPACITOR VENDOR INFORMATION

| MANUFACTURER | SERIES | WEBSITE |
|--------------|--------|--|
| AVX | X5R | www.avx.com |
| Murata | X5R | www.murata.com |
| Taiyo Yuden | X5R | www.t-yuden.com |
| TDK | X5R | www.tdk.com |

Application Example 1

An application using the fixed-output ISL9110AITNZ is shown in Figure 30. This application requires only three external components.

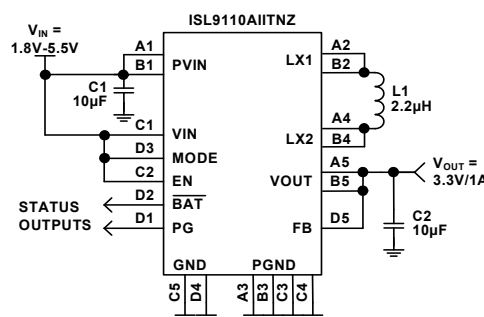


FIGURE 30. TYPICAL ISL9110AITNZ APPLICATION

Application Example 2

An application requiring V_{OUT} = 3.0V, using the adjustable-output ISL9110AITAZ is shown in Figure 31. This application requires six external components.

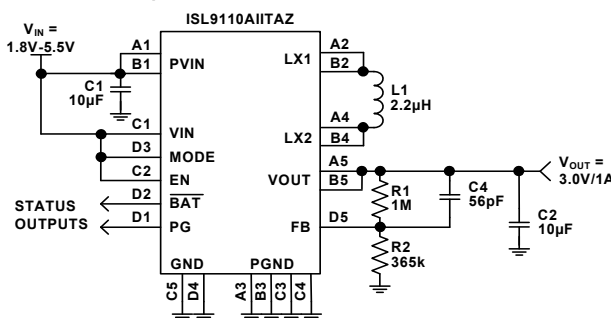


FIGURE 31. TYPICAL ISL9110AITAZ APPLICATION

Recommended PCB Layout

Correct PCB layout is critical for proper operation of the ISL9110A. The input and output capacitors should be positioned as closely to the IC as possible. The ground connections of the input and output capacitors should be kept as short as possible, and should be on the component layer to avoid problems that are caused by high switching currents flowing through PCB vias.

ISL9110A

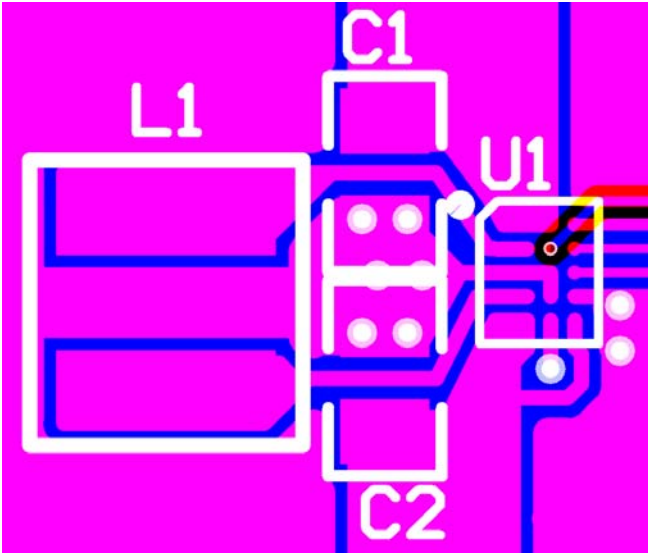


FIGURE 32. RECOMMENDED ISL9110AITNZ PCB LAYOUT

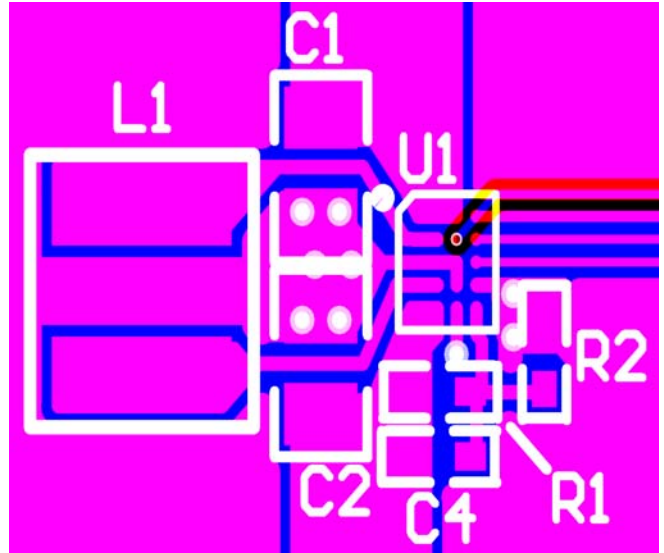


FIGURE 33. RECOMMENDED ISL9110AITAZ PCB LAYOUT

ISL9110A

Revision History

The revision history provided is for informational purposes only and is believed to be accurate, but not warranted. Please go to web to make sure you have the latest revision.

| DATE | REVISION | CHANGE |
|--------------|----------|--|
| May 29, 2012 | FN8299.1 | Corrected "Pin Configuration" on page 2. |
| May 11, 2012 | FN8299.0 | Initial Release. |

Products

Intersil Corporation is a leader in the design and manufacture of high-performance analog semiconductors. The Company's products address some of the industry's fastest growing markets, such as, flat panel displays, cell phones, handheld products, and notebooks. Intersil's product families address power management and analog signal processing functions. Go to www.intersil.com/products for a complete list of Intersil product families.

For a complete listing of Applications, Related Documentation and Related Parts, please see the respective device information page on intersil.com: [ISL9110A](http://www.intersil.com/ISL9110A)

To report errors or suggestions for this datasheet, please go to www.intersil.com/askourstaff

FITs are available from our website at <http://rel.intersil.com/reports/search.php>

For additional products, see www.intersil.com/product_tree

Intersil products are manufactured, assembled and tested utilizing ISO9000 quality systems as noted in the quality certifications found at www.intersil.com/design/quality

Intersil products are sold by description only. Intersil Corporation reserves the right to make changes in circuit design, software and/or specifications at any time without notice. Accordingly, the reader is cautioned to verify that data sheets are current before placing orders. Information furnished by Intersil is believed to be accurate and reliable. However, no responsibility is assumed by Intersil or its subsidiaries for its use; nor for any infringements of patents or other rights of third parties which may result from its use. No license is granted by implication or otherwise under any patent or patent rights of Intersil or its subsidiaries.

For information regarding Intersil Corporation and its products, see www.intersil.com

