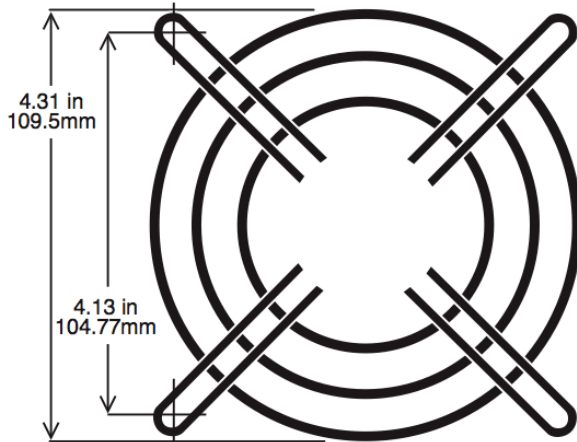


G109 Series



Fan Guards for 120mm Fan



PART NO. G109-3A

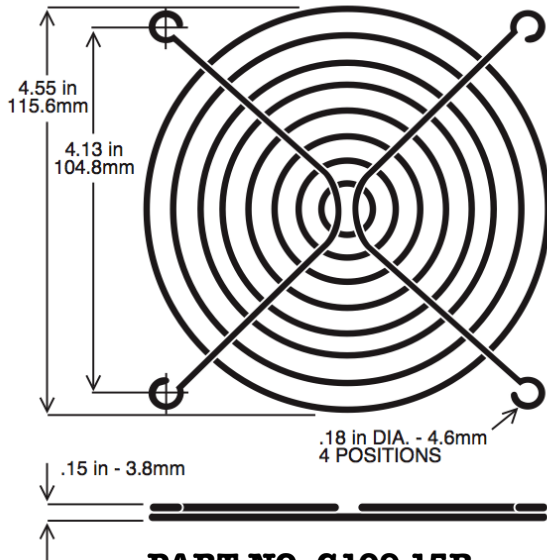
WIRE DIAMETER.
RING DIA: 1.6mm
RIB DIA: 1.6mm
FINISH: BRIGHT NICKEL
CHROME

PART NO. G109-3A/PK

10-PACK G109-3A GUARDS,
BOXED

NOTES:

1. MATERIAL: C1008
BRIGHT BASIC WIRE
2. WELD JOINTS TO
WITHSTAND 88LBS PULL
FORCE
3. GENERAL TOLERANCE
UNLESS NOTED +/-0.5mm
4. PART MEETS 6.35mm
PLUG GAUGE TEST



PART NO. G109-15B

WIRE DIAMETER.
RING DIA: 1.8mm
RIB DIA: 1.8mm
FINISH: BRIGHT NICKEL CHROME

PART NO. G109-15B/PK

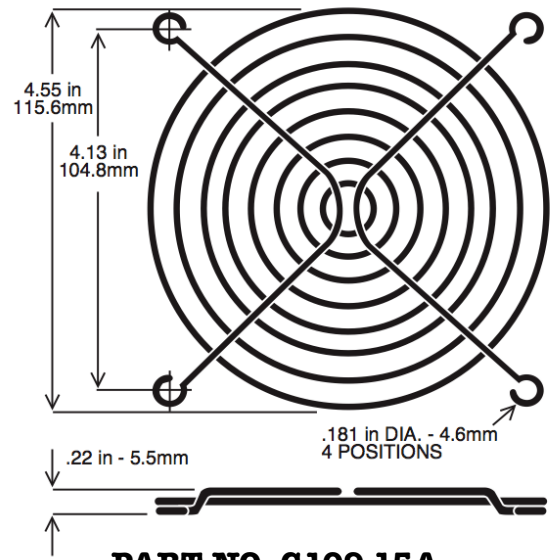
10-PACK G109-15B GUARDS, BOXED

PART NO. G109-15B-1

WIRE DIAMETER.
RING DIA: 1.8mm
RIB DIA: 2.3mm
FINISH: BLACK

PART NO. G109-15B-1/PK

10-PACK G109-15B-1 GUARDS, BOXED



PART NO. G109-15A

WIRE DIAMETER.
RING DIA: 1.8mm
RIB DIA: 1.8mm
FINISH: BRIGHT NICKEL CHROME

PART NO. G109-15A/PK

10-PACK G109-15A GUARDS, BOXED

PART NO. G109-15AB

WIRE DIAMETER.
RING DIA: 1.8mm
RIB DIA: 1.8mm
FINISH: BLACK

PART NO. G109-15AB/PK

10-PACK G109-15AB GUARDS, BOXED

10557 Metric Drive
Dallas, Texas 75243
214-340-0265



OrionFans.com
Information and data is subject to
change without prior notification.