

# MICRO SWITCH

A DIVISION OF MINNEAPOLIS-HONEYWELL REGULATOR COMPANY  
 FREEPORT, ILLINOIS

FED. MFR. CODE 91929

## ACTUATOR - SWITCH

CATALOG LISTING  
**JS-50**

(M) JS-50  
 ISSUE 3

JS-50

M

DRAWING NUMBER

ISSUE

7

REPLACES

RELEASE NO.

11 MAY 56

CHECK

10 MAY 56

CHECK

17 MAY 56

CHECK

17 MAY 56

CHECK

17 MAY 56

CHECK

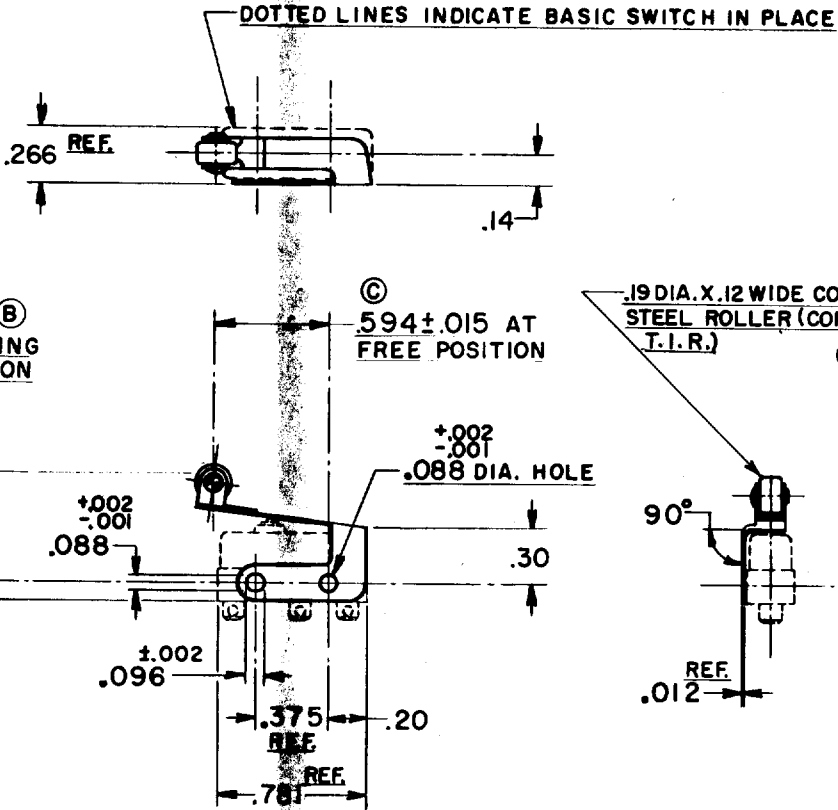
17 MAY 56

CHECK

17 MAY 56

DRAWN

R. E. R. 3 MAY 56



THIS DRAWING COVERS A PROPRIETARY ITEM AND IS THE PROPERTY OF MICRO SWITCH, A DIVISION OF HONEYWELL. THIS DRAWING IS NOT TO BE COPIED OR USED WITHOUT THE APPROVAL OF MICRO SWITCH.

### CHARACTERISTICS WITH ISMI BASIC SWITCH INSTALLED

OPERATING FORCE	-----	10 OZ MAX
RELEASE FORCE	-----	(C) 2 OZ MIN
PRETRAVEL	-----	.078 MAX
DIFFERENTIAL TRAVEL	-----	.015 MAX
OVERTRAVEL	-----	.015 MIN

(B)

### ELECTRICAL DATA

CONTACT ARRANGEMENT .

### SCALE FULL

DO NOT SCALE PRINT

UNLESS OTHERWISE SPECIFIED  
 DIMENSIONS ARE IN INCHES  
**TOLERANCES ARE:**

ONE PLACE	(.0)	±.030
TWO PLACE	(.00)	±.015
THREE PLACE	(.000)	±.005
ANGLES		± 2°

WEIGHT