

MICRO SWITCH

A DIVISION OF MINNEAPOLIS-HONEYWELL REGULATOR COMPANY
FREEPORT, ILLINOIS

FED. MFR. CODE 91929

ACTUATOR-SWITCH

CATALOG LISTING

JS-68

9

JS-68

M

DRAWING NUMBER

X

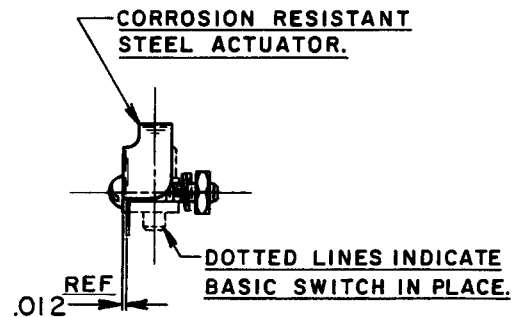
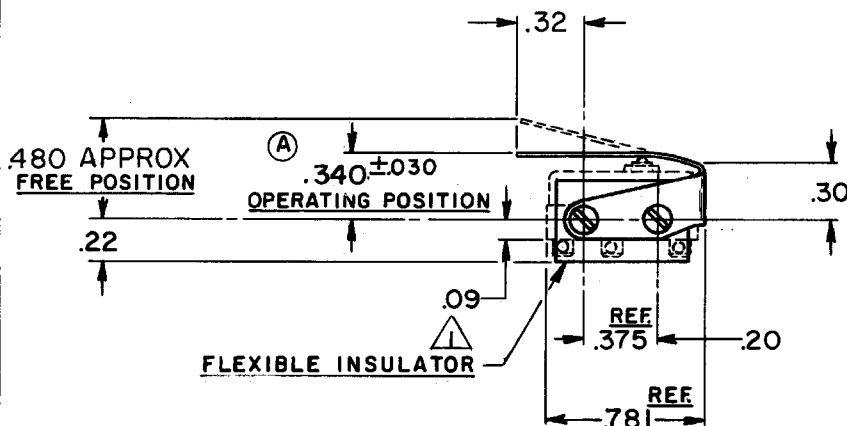
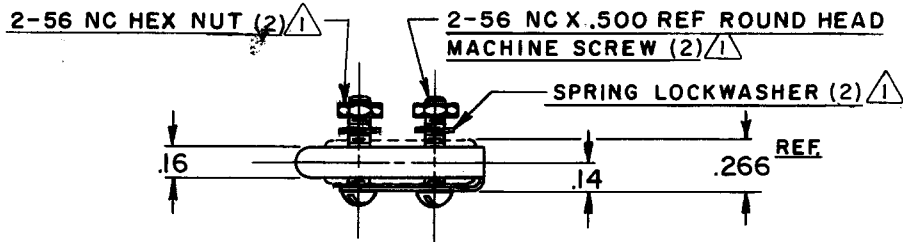
5

ISSUE

X

REPLACES

RELEASE NO. SR7058



NOTE - Δ FURNISHED UNASSEMBLED

REVISIONS

A	C012901	MBF	18 MAY 59
B	C029487	SRH	13 JAN 72
C	C074078	LJF	1 DEC 92
D	C079303	DLT	7 MAR 95

CHECK

23 OCT. 57

BLS

31 OCT. 57

GCH

31 OCT. 57

31 OCT. 57

31 OCT. 57

31 OCT. 57

31 OCT. 57

31 OCT. 57

31 OCT. 57

THIS DRAWING COVERS A PROPRIETARY ITEM AND IS THE PROPERTY OF MICRO SWITCH, A DIVISION OF HONEYWELL. THIS DRAWING IS NOT TO BE COPIED OR USED WITHOUT THE APPROVAL OF MICRO SWITCH.

CHARACTERISTICS WITH ISM BASIC SWITCH INSTALLED

OPERATING FORCE	----- 9 OZ. MAX.
RELEASE FORCE	----- 2 OZ. MIN.
PRETRAVEL	----- .218 MAX.
DIFFERENTIAL TRAVEL	----- .020 MAX.
OVERTRAVEL	----- .030 MIN.

ELECTRICAL DATA

CONTACT ARRANGEMENT

BREAK DISTANCE

SCALE - FULL

DO NOT SCALE PRINT

UNLESS OTHERWISE SPECIFIED DIMENSIONS ARE IN INCHES

TOLERANCES ARE:

ONE PLACE	(.0)	\pm .030
TWO PLACE	(.00)	\pm .015
THREE PLACE	(.000)	\pm .008
ANGLES		\pm

WEIGHT

FO-50378

DRAWN

K. A. F.

30 OCT. 57

CHECK