

MICRO SWITCH

A DIVISION OF MINNEAPOLIS-HONEYWELL REGULATOR COMPANY
 FREEPORT, ILLINOIS

FED. MFR. CODE 91929

ACTUATOR - SWITCH

CATALOG LISTING

JS - 90

JS - 90

REPLACES

RELEASE NO. SR 8842

M

DRAWING NUMBER

2

X 5

ISSUE

2

CHECK

7 MAR 60

CHECK

14 MAR 60

CHECK

20 JUNE 63

CHECK

15 JUN 77

CHECK

29 MAR 90

CHECK

PAW 7 MAR 60

CHECK

PAW 7 MAR 60

CHECK

PAW 7 MAR 60

CHECK

PAW 7 MAR 60

CHECK

PAW 7 MAR 60

CHECK

PAW 7 MAR 60

CHECK

PAW 7 MAR 60

CHECK

PAW 7 MAR 60

CHECK

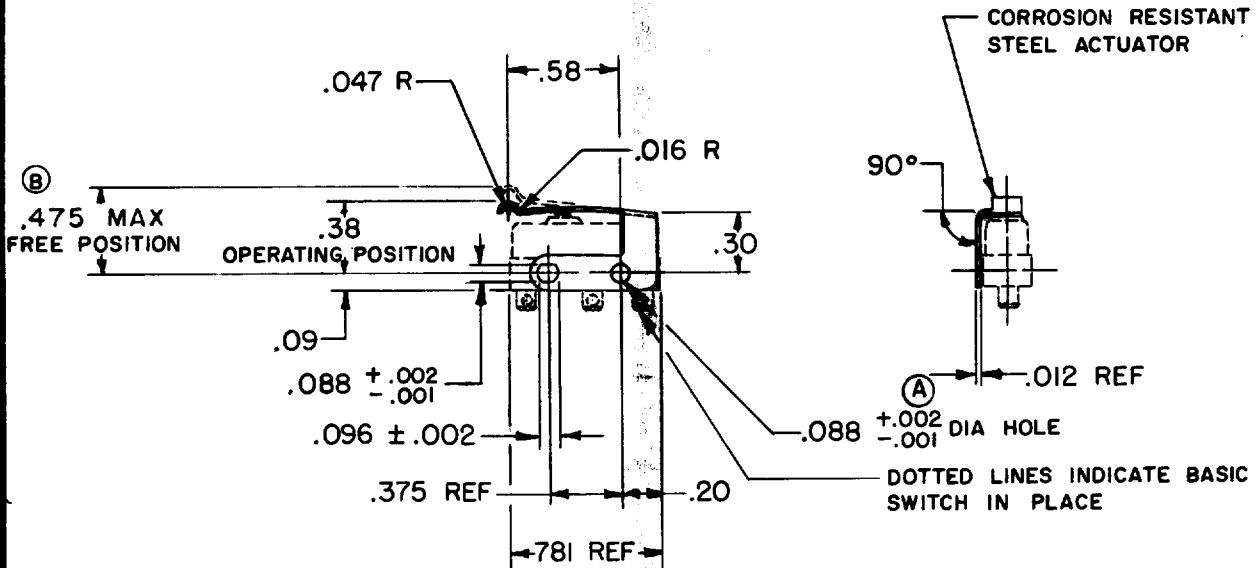
PAW 7 MAR 60

CHECK

PAW 7 MAR 60

CHECK

PAW 7 MAR 60



THIS DRAWING COVERS A PROPRIETARY ITEM AND IS THE PROPERTY OF MICRO SWITCH, A DIVISION OF MINNEAPOLIS-HONEYWELL REGULATOR CO. THIS DRAWING IS NOT TO BE COPIED OR USED WITHOUT THE APPROVAL OF MICRO SWITCH.

CHARACTERISTICS WITH ISMI BASIC SWITCH INSTALLED

OPERATING FORCE	-----	10 OZ MAX
② RELEASE FORCE	-----	2 OZ MIN
PRETRAVEL	-----	.094 MAX
DIFFERENTIAL TRAVEL	-----	.015 MAX
OVERTRAVEL	-----	.015 MIN

ELECTRICAL DATA

CONTACT ARRANGEMENT	BREAK DISTANCE
---------------------	----------------

SCALE FULL

DO NOT SCALE PRINT

UNLESS OTHERWISE SPECIFIED
 DIMENSIONS ARE IN INCHES
TOLERANCES ARE:
 ONE PLACE (.0) ±.030
 TWO PLACE (.00) ±.015
 THREE PLACE (.000) ±.005
 ANGLES ± 2°

WEIGHT