

MICRO SWITCH

A DIVISION OF MINNEAPOLIS-HONEYWELL REGULATOR COMPANY

PROOF, MASSACHUSETTS

FED. MFR. CODE 91929

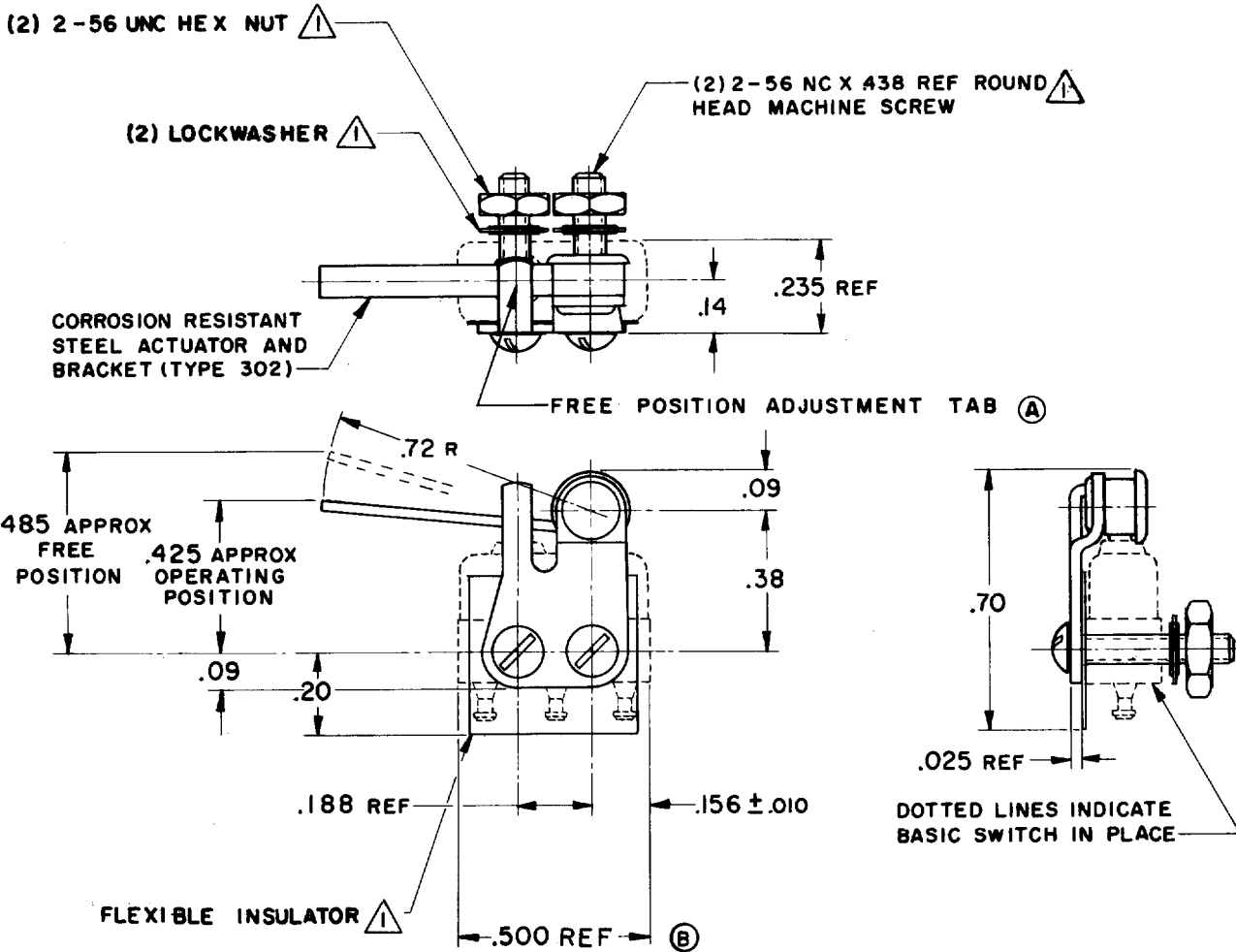
SWITCH - ACTUATOR

CATALOG LISTING

JX-20

5

M JX-20
 DRAWING NUMBER
 ISSUE X 5
 REVISIONS
 A SR 7915
 L M H
 13 NOV 58
 B CO14274
 M B F
 8 DEC 59
 C CO47771
 C J H
 17 MAY 80
 D CO74163
 D H D
 22 APR 93
 REPLACES
 RELEASE NO. SR-7915
 CHECK B, L.S. 14 NOV 58
 CHECK 23 SEPT 58
 CHECK RED 24 NOV 58
 CHECK 18 SEPT 58
 DRAWN
 R. E. R.



NOTE -
 ▲ - FURNISHED UNASSEMBLED.

THIS DRAWING COVERS A PROPRIETARY ITEM AND IS THE PROPERTY OF MICRO SWITCH, A DIVISION OF MINNEAPOLIS-HONEYWELL REGULATOR CO. THIS DRAWING IS NOT TO BE COPIED OR USED WITHOUT THE APPROVAL OF MICRO SWITCH.

CHARACTERISTICS WITH ISX1-T BASIC SWITCH INSTALLED	ELECTRICAL DATA		SCALE 2 TO 1
	OPERATING FORCE - - - - - 1 OZ APPROX	CONTACT ARRANGEMENT	BREAK DISTANCE
RELEASE FORCE - - - - - 4 GRAMS MIN (A)			UNLESS OTHERWISE SPECIFIED
DIFFERENTIAL TRAVEL - - - - - .030 APPROX			DIMENSIONS ARE IN INCHES
OVERTRAVEL - - - - - .030 APPROX			TOLERANCES ARE:
			ONE PLACE (.0) ±.030
			TWO PLACE (.00) ±.018
			THREE PLACE (.000) ±.008
			ANGLES ±
			WEIGHT