

MICRO SWITCH

A DIVISION OF MINNEAPOLIS-HONEYWELL REGULATOR COMPANY
FREEPORT, ILLINOIS

FED. MFR. CODE 91929

SWITCH - ACTUATOR

SKETCH 25750
ISSUE 1

JX-21

M

DRAWING NUMBER

8

ISSUE

3

REVISIONS

A	CO47771	CJH	MAY 80
B	CO79303	DLT	MAR 95

REPLACES

8900

RELEASE NO. SR

CHECK

24 Nov 59

CHECK

BLS

CHECK

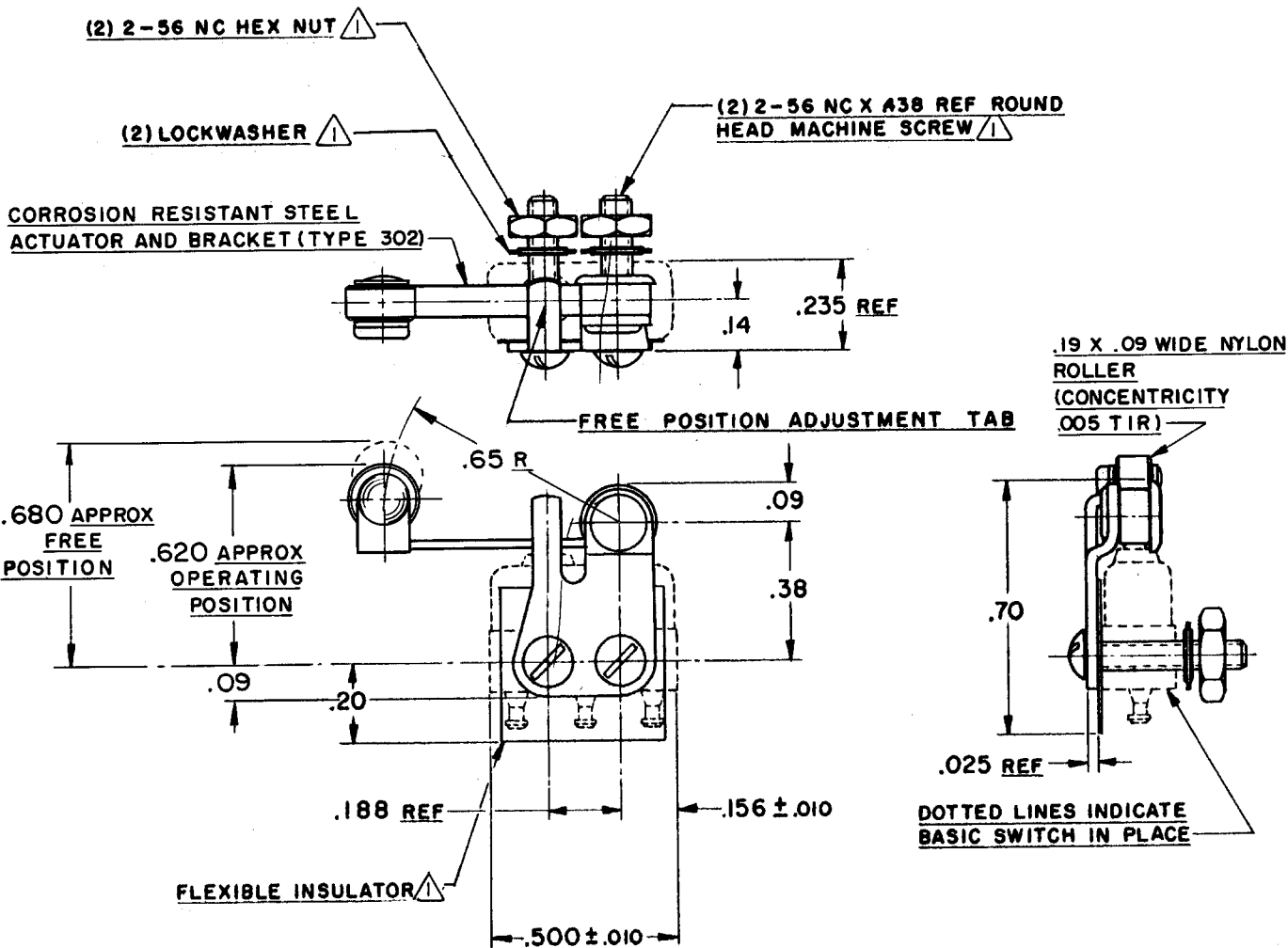
GCH 4 Apr 68

CHECK

24 NOV 59

DRAWN

O M W



NOTE -
△ - FURNISHED UNASSEMBLED.

THIS DRAWING COVERS A PROPRIETARY ITEM AND IS THE PROPERTY OF MICRO SWITCH, A DIVISION OF MINNEAPOLIS-HONEYWELL REGULATOR CO. THIS DRAWING IS NOT TO BE COPIED OR USED WITHOUT THE APPROVAL OF MICRO SWITCH.

CHARACTERISTICS WITH ISXI-T BASIC SWITCH INSTALLED

OPERATING FORCE - - - - - 1 OZ APPROX

RELEASE FORCE - - - - - 4 GRAMS MIN

DIFFERENTIAL TRAVEL - .030 MAX APPROX

OVERTRAVEL - - - - - .030 MIN APPROX

ELECTRICAL DATA

CONTACT ARRANGEMENT

BREAK DISTANCE

SCALE 2 TO 1

DO NOT SCALE PRINT

UNLESS OTHERWISE SPECIFIED

DIMENSIONS ARE IN INCHES

TOLERANCES ARE:

ONE PLACE	(.0)	±.030
TWO PLACE	(.00)	±.015
THREE PLACE	(.000)	±.005
ANGLES		±

WEIGHT