

MICRO SWITCH

A DIVISION OF HONEYWELL-HONEYWELL, HUNTSVILLE COMPANY

HUNTSVILLE, ALABAMA

TYPE, MFR. CODE 91929

ACTUATOR - SWITCH

(M) SKETCH 20310
ISSUE 1

JX-40

M

REPLACES

SR 7757

RELEASE NO.

SR 7757

DATE

27 APR 58

27 APR 58

17 APR 58

28 APR 57

5 FEB 58

14 APR 58

22 APR 58

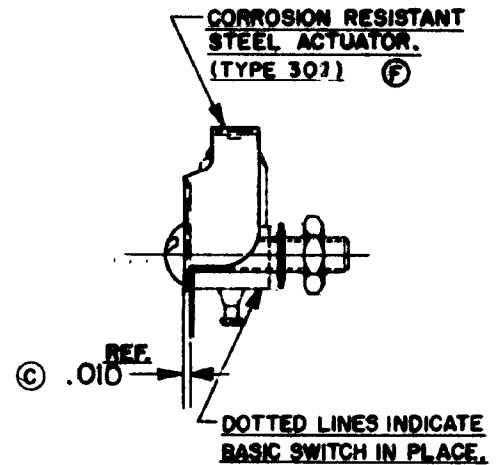
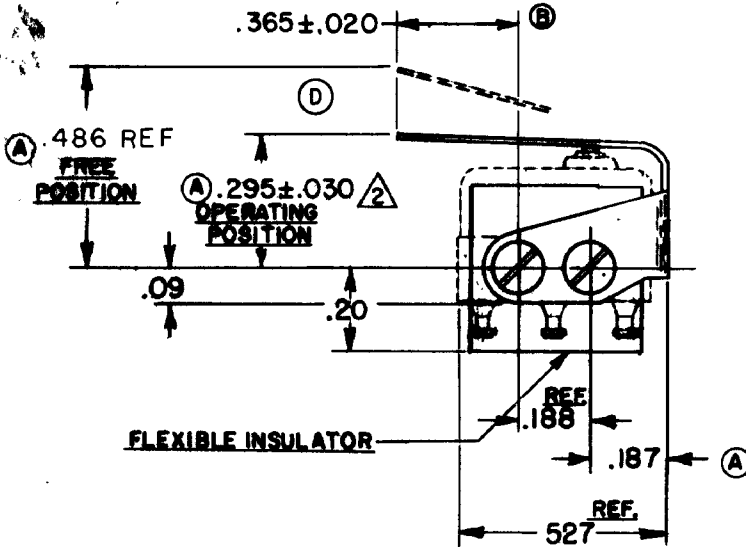
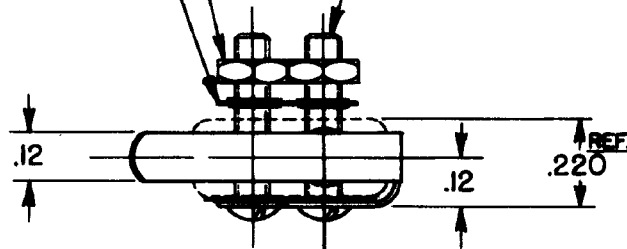
10 MAY 58

2, JULY 58

(2) 2-56 UNC HEX NUT

(2) 2-56 UNC X .438^{REF.} ROUND HEAD MACHINE SCREW.

(2) LOCKWASHER



NOTE -

- 1- SCREWS, NUTS, LOCKWASHERS AND INSULATOR FURNISHED UNASSEMBLED.
- 2 SLIGHT ROTATION BETWEEN BASIC AND ACTUATOR MAY BE NECESSARY
- 3 TO OBTAIN OPERATING POSITION WEIGHT INCLUDES BRACKET ASSEMBLY ONLY DOES NOT INCLUDE BASIC SWITCH

CHARACTERISTICS WITH ISX1-T BASIC SWITCH INSTALLED

OPERATING FORCE ---- 7 OZ MAX
RELEASE FORCE ----- 2 OZ MIN
DIFFERENTIAL TRAVEL --- .025 MAX
OVERTRAVEL ----- .015 MIN

ELECTRICAL DATA

CONTACT ARRANGEMENT

SCALE 2 TO 1

DO NOT SCALE PRINT

UNLESS OTHERWISE SPECIFIED DIMENSIONS ARE IN INCHES
TOLERANCES ARE:
ONE PLACE (.0) ±.000
TWO PLACE (.00) ±.010
THREE PLACE (.000) ±.000
ANGLES 2

WEIGHT .003 LB MAX

3

REVISIONS

A	0019044	27 APR 58
B	0014671	27 APR 58
C	0018822	17 APR 58
D	0022879	28 APR 57
E	0023788	5 FEB 58
F	0022579	14 APR 58
G	0026581	29 OCT 58
H	0047771	17 MAY 58
J	0074163	22 APR 58
K	0082929	10 MAY 58

K.L.B. 2, JULY 58

FO-30378