

# M83723/70

## Series III Quick Disconnect Receptacle Adapter

Basic  
Part Number

M83723/70

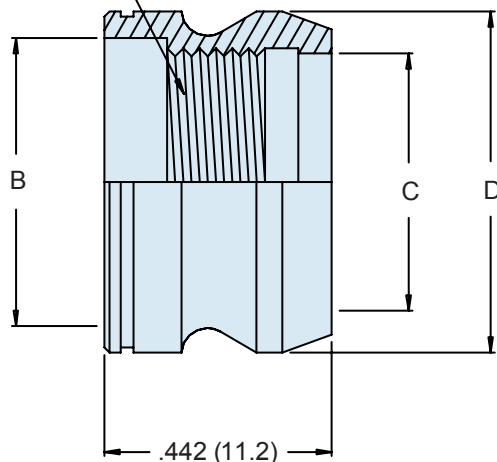
Dash No.

W

22

**Material and Finish***A = Aluminum, Black Anodize**R = Aluminum, Electroless Nickel**G = Corrosion-Resistant Steel Passivate**W = Aluminum, Cadmium Olive Drab over Electroless Nickel*

A Thread

**TABLE I: Reference for Connector Shell Size**

Shell Size	A Thread UNEF-2B	Ø B Max	Ø C		Ø D Max	
8	.5264 - 24	.579 (14.7)	.525	(13.3)	.689	(17.5)
10	.6875 - 24	.714 (18.1)	.650	(16.5)	.814	(20.7)
12	.8750 - 20	.894 (22.7)	.840	(21.3)	1.001	(25.4)
14	.9375 - 20	.954 (24.2)	.900	(22.9)	1.064	(27.0)
16	1.0625 - 18	1.079 (27.4)	1.025	(26.0)	1.189	(30.2)
18	1.1875 - 18	1.204 (30.6)	1.150	(29.2)	1.330	(33.8)
20	1.3125 - 18	1.329 (33.8)	1.275	(32.4)	1.455	(37.0)
22	1.4375 - 18	1.454 (36.9)	1.400	(35.6)	1.580	(40.1)
24	1.5625 - 18	1.579 (40.1)	1.525	(38.7)	1.705	(43.3)
*Modified Minor Diameter						

**APPLICATION NOTES**

1. Assembly identified with manufacturer's name and part number, space permitting.
2. For complete dimensions, see the applicable Military Specification.
3. Metric dimensions (mm) are in parentheses.