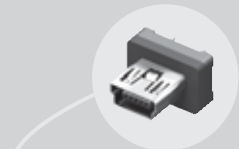




MUSBS-05-S-B-TH-TR



MUSBS-05-S-B-TH-TR

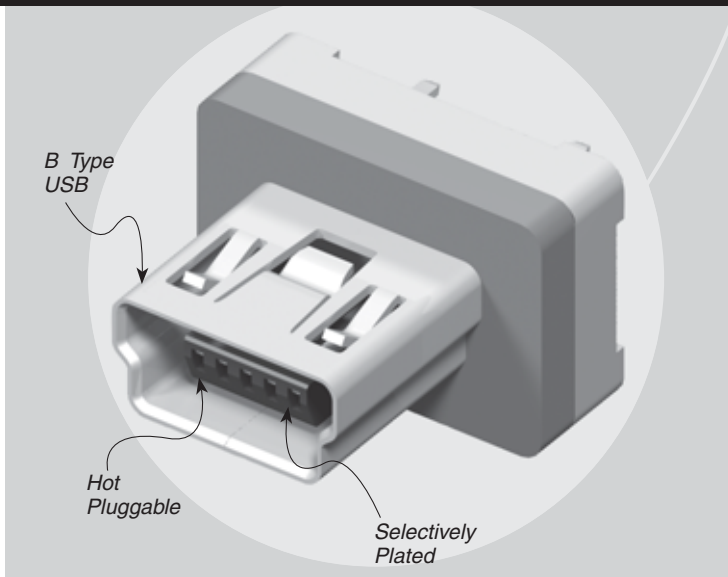
MUSBS SERIES

# IP68 SEALED MINI USB PORT

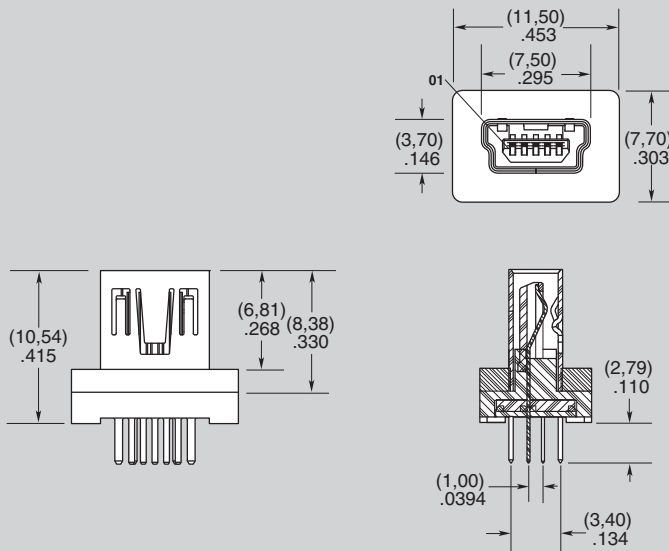
## SPECIFICATIONS

For complete specifications and recommended PCB layouts see [www.samtec.com?MUSBS](http://www.samtec.com?MUSBS)

- Insulator Material:**  
Black High Temperature Thermoplastic
- Contact Material:**  
Phosphor Bronze
- Shell Material:**  
Phosphor Bronze
- Plating:**  
Gold on Mating Area, Nickel on Shell, Tin on Tails
- Operating Temp Range:**  
-50°C to +85°C
- Current Rating:**  
2A per contact
- Voltage Rating:**  
30 VRMS
- Contact Resistance:**  
50 mΩ
- Minimum Cycles:**  
5000
- RoHS Compliant:**  
Yes
- Lead-Free Solderable:**  
Yes



MUSBS	NO. OF CONTACTS	PLATING	TYPE	TH	TR
MUSBS = Sealed Mini USB	-05	-S = 30μ" (0,76 μm) Gold on Mating Area, Tin on Tails	-B = B Type		-TR = Tape & Reel Packaging



Due to technical progress, all designs, specifications and components are subject to change without notice.

[WWW.SAMTEC.COM](http://WWW.SAMTEC.COM)