

## 11.3 Gbps Limiting Transimpedance Amplifier With RSSI

Check for Samples: [ONET8541T](#)

### FEATURES

- 9 GHz Bandwidth
- 4 k $\Omega$  Differential Small Signal Transimpedance
- -20dBm Sensitivity
- 0.95  $\mu\text{A}_{\text{RMS}}$  Input Referred Noise
- 2.5 mA<sub>PP</sub> Input Overload Current
- Received Signal Strength Indication (RSSI)
- 90 mW Typical Power Dissipation
- CML Data Outputs with On-Chip 50 $\Omega$  Back-Termination
- On Chip Supply Filter Capacitor

- Single 3.3 V Supply
- Die Size: 870  $\mu\text{m}$   $\times$  1036  $\mu\text{m}$

### APPLICATIONS

- 10G Ethernet
- 8G and 10G Fibre Channel
- 10G EPON
- SONET OC-192
- 6G CPRI and OBSAI
- PIN Preamplifier Receivers

### DESCRIPTION

The ONET8541T is a high-speed, high gain, limiting transimpedance amplifier used in optical receivers with data rates up to 11.3Gbps. It features low input referred noise, 9GHz bandwidth, 4k $\Omega$  small signal transimpedance, and a received signal strength indicator (RSSI).

The ONET8541T is available in die form, includes an on-chip  $V_{\text{CC}}$  bypass capacitor and is optimized for packaging in a TO can.

The ONET8541T requires a single 3.3V  $\pm$ 10% supply and its power efficient design typically dissipates less than 90mW. The device is characterized for operation from  $-40^{\circ}\text{C}$  to  $100^{\circ}\text{C}$  case (IC back side) temperature.



Please be aware that an important notice concerning availability, standard warranty, and use in critical applications of Texas Instruments semiconductor products and disclaimers thereto appears at the end of this data sheet.



This integrated circuit can be damaged by ESD. Texas Instruments recommends that all integrated circuits be handled with appropriate precautions. Failure to observe proper handling and installation procedures can cause damage.

ESD damage can range from subtle performance degradation to complete device failure. Precision integrated circuits may be more susceptible to damage because very small parametric changes could cause the device not to meet its published specifications.

**BLOCK DIAGRAM**

A simplified block diagram of the ONET8541T is shown in [Figure 1](#).

The ONET8541T consists of the signal path, supply filters, a control block for dc input bias, automatic gain control (AGC) and received signal strength indication (RSSI). The RSSI provides the bias for the TIA stage and the control for the AGC.

The signal path consists of a transimpedance amplifier stage, a voltage amplifier, and a CML output buffer. The on-chip filter circuit provides a filtered  $V_{CC}$  for the PIN photodiode and for the transimpedance amplifier.

The dc input bias circuit and automatic gain control use internal low pass filters to cancel the dc current on the input and to adjust the transimpedance amplifier gain. Furthermore, circuitry is provided to monitor the received signal strength.

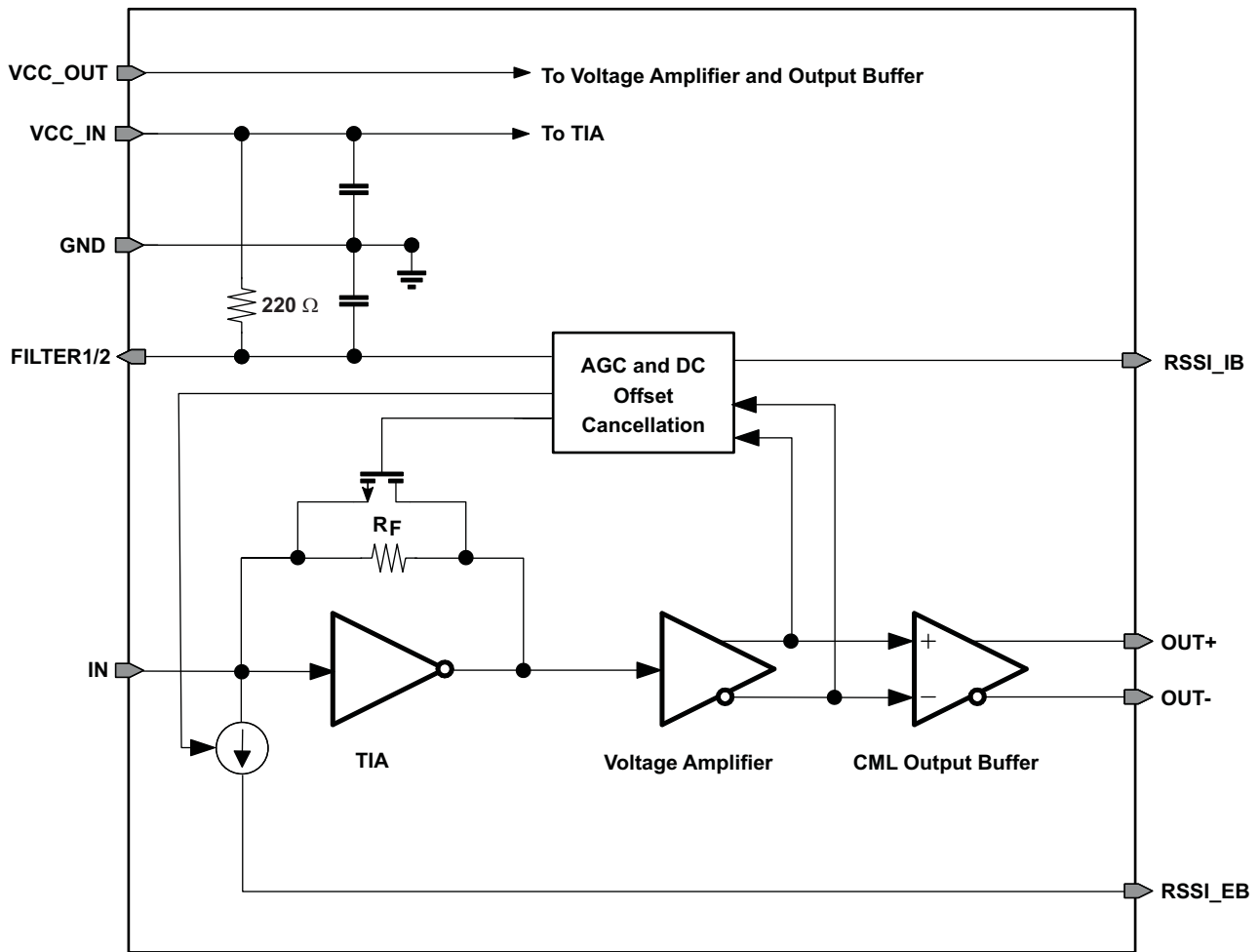


Figure 1. Simplified Block Diagram of the ONET8541T

## BOND PAD ASSIGNMENT

The ONET8541T is available in die form. The locations of the bondpads are shown in Figure 2.

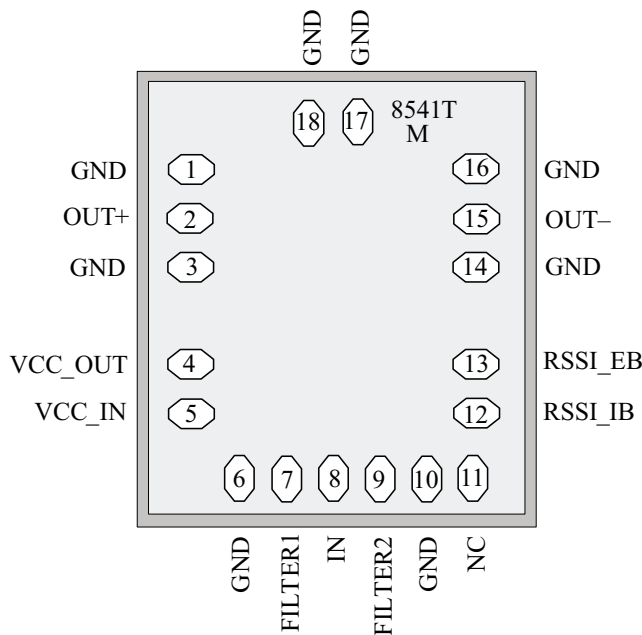


Figure 2. Bond Pad Assignment of ONET8541T

## PIN FUNCTIONS

PIN		TYPE	DESCRIPTION
NAME	NO.		
GND	1, 3, 6, 10 14, 16 – 18	Supply	Circuit ground. All GND pads are connected on die. Bonding all pads is optional; however, for optimum performance a good ground connection is mandatory.
OUT+	2	Analog output	Non-inverted CML data output. On-chip 50Ω back-terminated to V <sub>CC</sub> .
VCC_OUT	4	Supply	2.97V–3.63V supply voltage for the voltage and CML amplifiers.
VCC_IN	5	Supply	2.97V–3.63V supply voltage for input TIA stage.
FILTER	7, 9	Analog	Bias voltage for photodiode cathode. These pads are internally connected to an 220Ω resistor to V <sub>CC</sub> and a filter capacitor to ground (GND).
IN	8	Analog input	Data input to TIA (photodiode anode).
NC	11	No Connect	Do not connect
RSSI_IB	12	Analog output	Analog output current proportional to the input data amplitude. Indicates the strength of the received signal (RSSI) if the photo diode is biased from the TIA. Connected to an external resistor to ground (GND). For proper operation, ensure that the voltage at the RSSI pad does not exceed V <sub>CC</sub> – 0.65V. If the RSSI feature is not used this pad should be left open.
RSSI_EB	13	Analog output	Optional use when operated with external PD bias (e.g. APD). Analog output current proportional to the input data amplitude. Indicates the strength of the received signal (RSSI). Connected to an external resistor to ground (GND). For proper operation, ensure that the voltage at the RSSI pad does not exceed V <sub>CC</sub> – 0.65V. If the RSSI feature is not used this pad should be left open.
OUT–	15	Analog output	Inverted CML data output. On-chip 50Ω back-terminated to V <sub>CC</sub> .

## ABSOLUTE MAXIMUM RATINGS

over operating free-air temperature range (unless otherwise noted)<sup>(1)</sup>

		MIN	MAX	UNIT
V <sub>CC_IN</sub> , V <sub>CC_OUT</sub>	Supply voltage <sup>(2)</sup>	-0.3	4.0	V
V <sub>FILTER1</sub> , V <sub>FILTER2</sub> , V <sub>OUT+</sub> , V <sub>OUT-</sub> , V <sub>RSSI_IB</sub> , V <sub>RSSI_EB</sub>	Voltage at FILTER1, FILTER2, OUT+, OUT-, RSSI_IB, RSSI_EB <sup>(2)</sup>	-0.3	4.0	V
I <sub>IN</sub>	Current into IN	-0.7	3.5	mA
I <sub>FILTER</sub>	Current into FILTER1, FILTER2	-8	8	mA
I <sub>OUT+</sub> , I <sub>OUT-</sub>	Continuous current at outputs	-8	8	mA
ESD	ESD rating at all pins except input IN	2		kV (HBM)
	ESD rating at input IN	0.5		kV(HBM)
T <sub>J,max</sub>	Maximum junction temperature		125	°C

- (1) Stresses beyond those listed under *absolute maximum ratings* may cause permanent damage to the device. These are stress ratings only and functional operation of the device at these or any other conditions beyond those indicated under *recommended operating conditions* is not implied. Exposure to absolute-maximum-rated conditions for extended periods may affect device reliability.
- (2) All voltage values are with respect to network ground terminal.

## RECOMMENDED OPERATING CONDITIONS

PARAMETER		CONDITIONS	MIN	NOM	MAX	UNIT
V <sub>CC</sub>	Supply voltage		2.97	3.3	3.63	V
T <sub>A</sub>	Operating backside die temperature		-40		100 <sup>(1)</sup>	°C
L <sub>FILTER</sub> , L <sub>IN</sub>	Wire-bond inductor at pins FILTER and IN			0.3	0.5	nH
C <sub>PD</sub>	Photodiode capacitance			0.2		pF

- (1) 105°C maximum junction temperature

## DC ELECTRICAL CHARACTERISTICS

over recommended operating conditions (unless otherwise noted). Typical values are at V<sub>CC</sub> = 3.3 V and T<sub>A</sub> = 25°C

PARAMETER	TEST CONDITIONS	MIN	TYP	MAX	UNIT
V <sub>CC</sub>	Supply voltage	2.97	3.3	3.63	V
I <sub>VCC</sub>	Input current i <sub>IN</sub> < 1000 μA <sub>PP</sub>		27	40 <sup>(1)</sup>	mA
	Input current i <sub>IN</sub> < 2500 μA <sub>PP</sub>			45 <sup>(1)</sup>	
V <sub>IN</sub>	Input bias voltage	0.75	0.85	0.98	V
R <sub>OUT</sub>	Output resistance	40	50	60	Ω
R <sub>FILTER</sub>	Photodiode filter resistance		220		Ω

- (1) Including RSSI current

## AC ELECTRICAL CHARACTERISTICS

over recommended operating conditions (unless otherwise noted). Typical values are at  $V_{CC} = +3.3\text{ V}$  and  $T_A = 25^\circ\text{C}$

PARAMETER		TEST CONDITIONS	MIN	TYP	MAX	UNIT
$Z_{21}$	Small signal transimpedance	Differential output; Input current $i_{IN} = 20\ \mu\text{A}_{PP}$	2500	4000		$\Omega$
$f_{HSS,3dB}$	Small signal bandwidth	$i_{IN} = 16\ \mu\text{A}_{PP}$ <sup>(1)</sup>	7	9		GHz
$f_{L,3dB}$	Low frequency –3 dB bandwidth	$16\ \mu\text{A} < i_{IN} < 2000\ \mu\text{A}_{PP}$		30	100	kHz
$i_{N,IN}$	Input referred RMS noise	10 GHz bandwidth <sup>(2)</sup>		0.95	1.4	$\mu\text{A}$
$S_{US}$	Unstressed sensitivity	10.3125 Gbps, PRBS31 pattern, 1310 nm, BER $10^{-12}$		–20		dBm
DJ	Deterministic jitter	$25\ \mu\text{A}_{PP} < i_{IN} < 500\ \mu\text{A}_{PP}$ (10.3125 Gbps, K28.5 pattern)		6	12	$\text{pS}_{PP}$
		$500\ \mu\text{A}_{PP} < i_{IN} < 2000\ \mu\text{A}_{PP}$ (10.3125 Gbps, K28.5 pattern)		6	14	
$DJ_{OL}$	Overload deterministic jitter	$2000\ \mu\text{A}_{PP} < i_{IN} < 2500\ \mu\text{A}_{PP}$ (10.3125 Gbps, K28.5 pattern)		7	16	$\text{pS}_{PP}$
$V_{OUT,D,MAX}$	Maximum differential output voltage	Input current $i_{IN} = 500\ \mu\text{A}_{PP}$	180	300	420	$\text{mV}_{PP}$
$A_{RSSI\_IB}$	RSSI gain internal bias	Resistive load to GND <sup>(3)</sup>	0.48	0.5	0.52	A/A
	RSSI internal bias output offset current (no light) <sup>(4)</sup>		2	7	16	$\mu\text{A}$
$A_{RSSI\_EB}$	RSSI gain external bias	Resistive load to GND <sup>(3)</sup>	0.43		0.6	A/A
	RSSI external bias output offset current (no light)			25		$\mu\text{A}$
PSNR	Power supply noise rejection	$F < 10\ \text{MHz}$ <sup>(5)</sup> , Supply filtering according to SFF8431		–15		dB

- (1) The small signal bandwidth is specified over process corners, temperature, and supply voltage variation. The assumed photodiode capacitance is 0.2 pF and the bond-wire inductance is 0.3 nH. The small signal bandwidth strongly depends on environmental parasitics. Careful attention to layout parasitics and external components is necessary to achieve optimal performance.
- (2) Input referred RMS noise is (RMS output noise)/ (gain at 100 MHz).
- (3) The RSSI output is a current output, which requires a resistive load to ground (GND). The voltage gain can be adjusted for the intended application by choosing the external resistor; however, for proper operation, ensure that the voltage at RSSI does not exceed  $V_{CC} - 0.65\text{V}$ .
- (4) Offset is added to improve accuracy below 5 $\mu\text{A}$ . When measured without input current (no light) the offset can be subtracted as a constant offset from RSSI measurements.
- (5) PSNR is the differential output amplitude divided by the voltage ripple on supply; no input current at IN.

## DETAILED DESCRIPTION

### SIGNAL PATH

The first stage of the signal path is a transimpedance amplifier which converts the photodiode current into a voltage. If the input signal current exceeds a certain value, the transimpedance gain is reduced by means of a nonlinear AGC circuit to limit the signal amplitude.

The second stage is a limiting voltage amplifier that provides additional limiting gain and converts the single ended input voltage into a differential data signal. The output stage provides CML outputs with an on-chip 50Ω back-termination to  $V_{CC}$ .

### FILTER CIRCUITRY

The FILTER pins provide a filtered  $V_{CC}$  for a PIN photodiode bias. The on-chip low pass filter for the photodiode is implemented using a filter resistor of 220Ω and a capacitor. The corresponding corner frequency is below 5MHz. The supply voltages for the transimpedance amplifier are filtered by means of on-chip capacitors, thus avoiding the necessity to use an external supply filter capacitor. The input stage has a separate  $V_{CC}$  supply ( $V_{CC\_IN}$ ) which is not connected on chip to the supply of the limiting and CML stages ( $V_{CC\_OUT}$ ).

### AGC AND RSSI

The voltage drop across the internal photodiode supply-filter resistor is monitored by the bias and RSSI control circuit block in the case where a PIN diode is biased using the FILTER pins.

If the dc input current exceeds a certain level then it is partially cancelled by means of a controlled current source. This keeps the transimpedance amplifier stage within sufficient operating limits for optimum performance.

The automatic gain control circuitry adjusts the voltage gain of the AGC amplifier to ensure limiting behavior of the complete amplifier.

Finally this circuit block senses the current through the filter resistor and generates a mirrored current that is proportional to the input signal strength. The mirrored current is available at the RSSI\_IB output and can be sunk to ground (GND) using an external resistor. For proper operation, ensure that the voltage at the RSSI\_IB pad does not exceed  $V_{CC} - 0.65V$ .

If an APD or PIN photodiode is used with an external bias then the RSSI\_EB pin should be used. However, for greater accuracy under external photo diode biasing conditions, it is recommended to derive the RSSI from the external bias circuitry.

**TYPICAL OPERATION CHARACTERISTICS**

Typical operating condition is at  $V_{CC} = 3.3\text{ V}$  and  $T_A = 25^\circ\text{C}$  (unless otherwise noted)

**TRANSIMPEDANCE  
vs  
INPUT CURRENT**

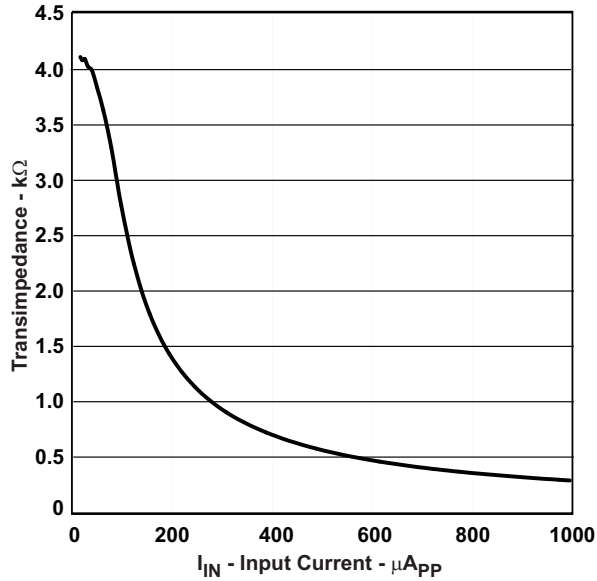


Figure 3.

**SMALL SIGNAL TRANSIMPEDANCE  
vs  
AMBIENT TEMPERATURE**

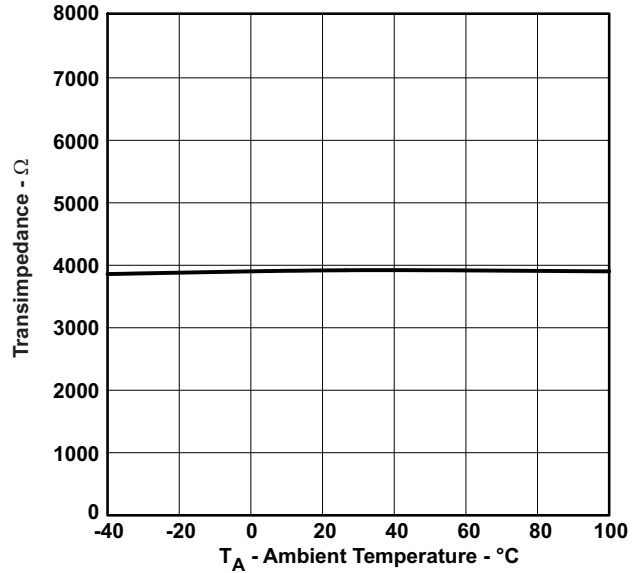


Figure 4.

**SMALL SIGNAL TRANSFER  
CHARACTERISTICS**

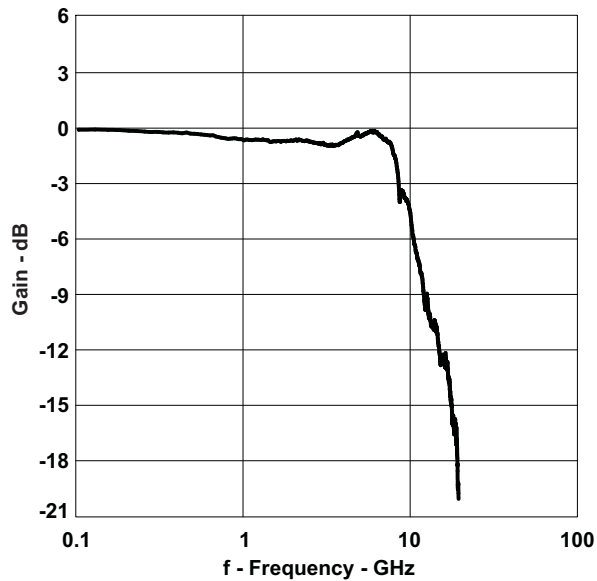


Figure 5.

**SMALL SIGNAL BANDWIDTH  
vs  
AMBIENT TEMPERATURE**

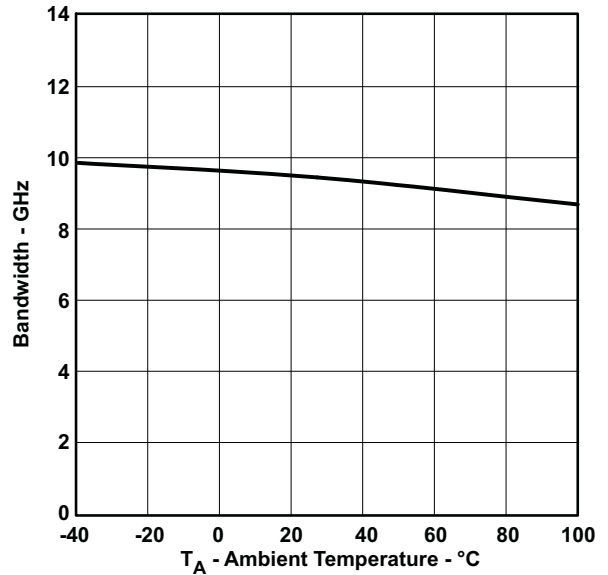


Figure 6.

**TYPICAL OPERATION CHARACTERISTICS (continued)**

Typical operating condition is at  $V_{CC} = 3.3\text{ V}$  and  $T_A = 25^\circ\text{C}$  (unless otherwise noted)

**OUTPUT VOLTAGE  
vs  
INPUT CURRENT**

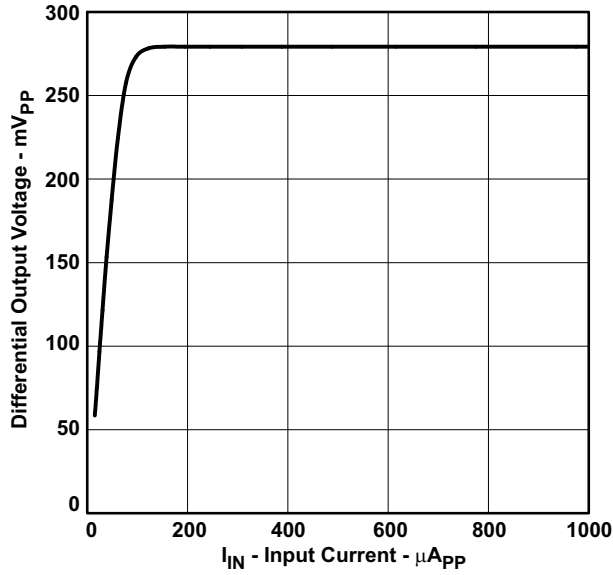


Figure 7.

**DETERMINISTIC JITTER  
vs  
INPUT CURRENT**

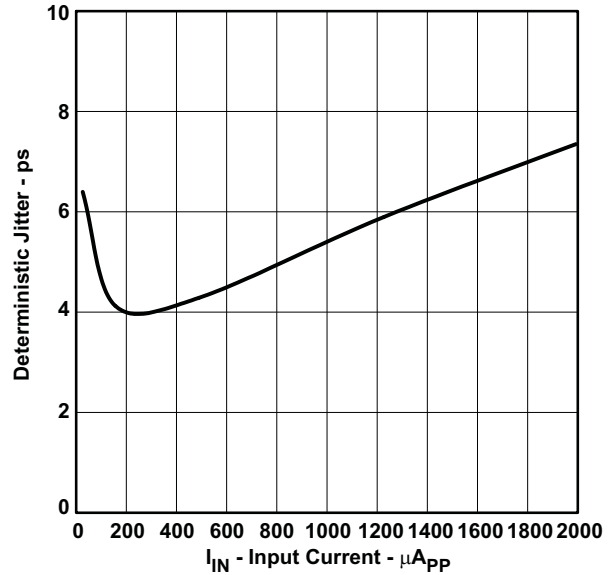


Figure 8.

**INPUT REFERRED NOISE  
vs  
TEMPERATURE**

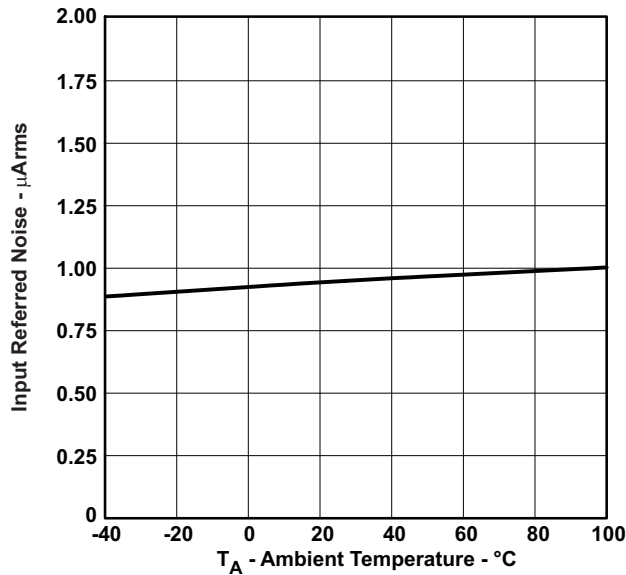


Figure 9.

**RSSI\_IB OUTPUT CURRENT  
vs  
AVERAGE INPUT CURRENT**

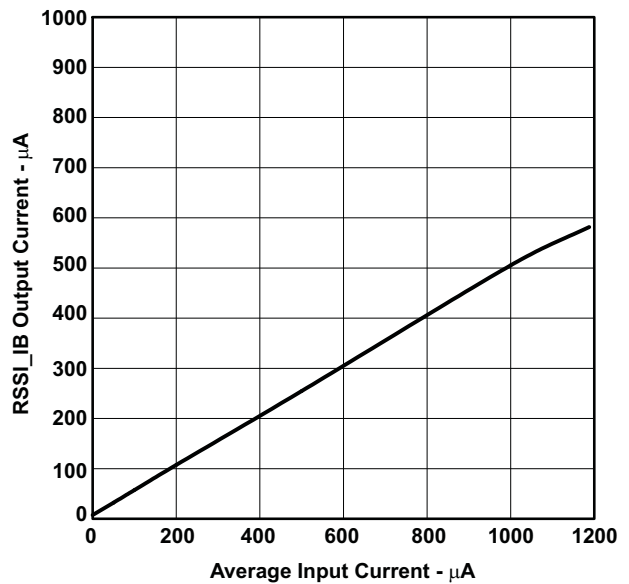


Figure 10.



**TYPICAL OPERATION CHARACTERISTICS (continued)**

Typical operating condition is at  $V_{CC} = 3.3\text{ V}$  and  $T_A = 25^\circ\text{C}$  (unless otherwise noted)

**OUTPUT EYE-DIAGRAM AT 10.3 GBPS  
AND  $20\ \mu\text{A}_{PP}$  INPUT CURRENT**

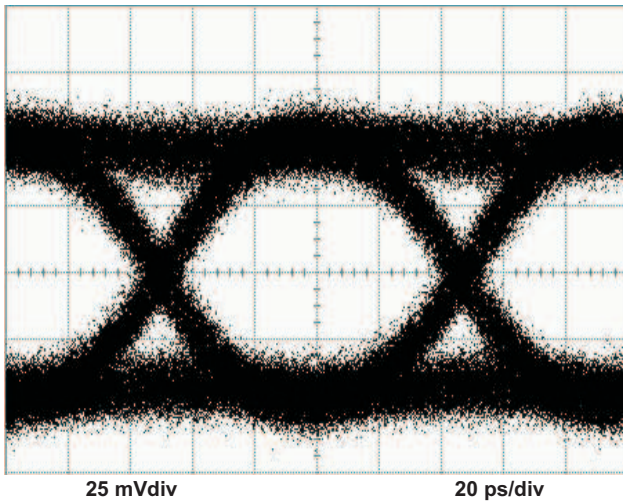


Figure 11.

**OUTPUT EYE-DIAGRAM AT 10.3 GBPS  
AND  $100\ \mu\text{A}_{PP}$  INPUT CURRENT**

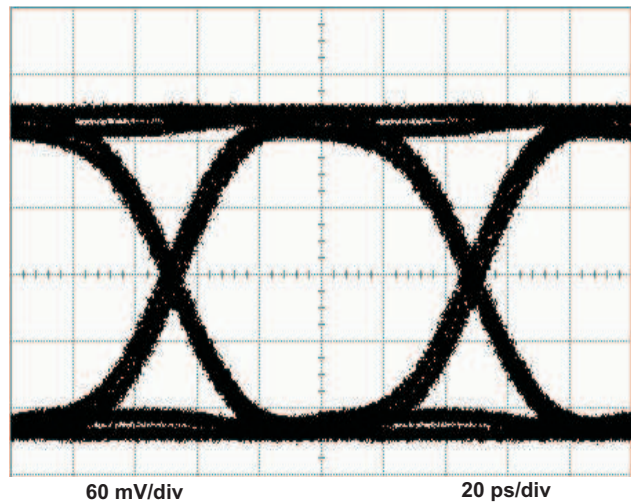


Figure 12.

**OUTPUT EYE-DIAGRAM AT 10.3 GBPS  
AND  $500\ \mu\text{A}_{PP}$  INPUT CURRENT**

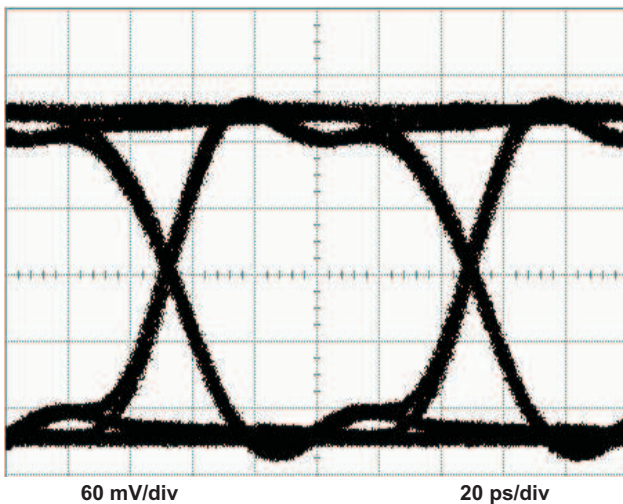


Figure 13.

**OUTPUT EYE-DIAGRAM AT 10.3 GBPS  
AND  $2\ \text{mA}_{PP}$  INPUT CURRENT**

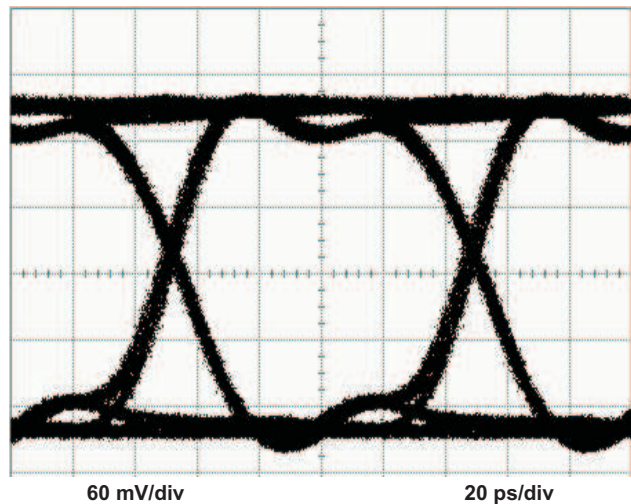


Figure 14.

## APPLICATION INFORMATION

Figure 15 shows the ONET8541T used in a typical fiber optic receiver using the internal photodiode bias. The ONET8541T converts the electrical current generated by the PIN photodiode into a differential output voltage. The FILTER inputs provide a dc bias voltage for the PIN that is low pass filtered by the combination of an internal  $220\Omega$  resistor and a capacitor. Because the voltage drop across the  $220\Omega$  resistor is sensed and used by the bias circuit, the photodiode must be connected to the FILTER pads for the bias to function correctly.

The RSSI output is used to mirror the photodiode output current and can be connected via a resistor to GND. The voltage gain can be adjusted for the intended application by choosing the external resistor; however, for proper operation of the ONET8541T, ensure that the voltage at RSSI never exceeds  $V_{CC} - 0.65V$ . If the RSSI output is not used while operating with internal PD bias, it should be left open.

The OUT+ and OUT- pins are internally terminated by  $50\Omega$  pull-up resistors to VCC. The outputs must be ac coupled, for example by using  $0.1\mu F$  capacitors, to the succeeding device.

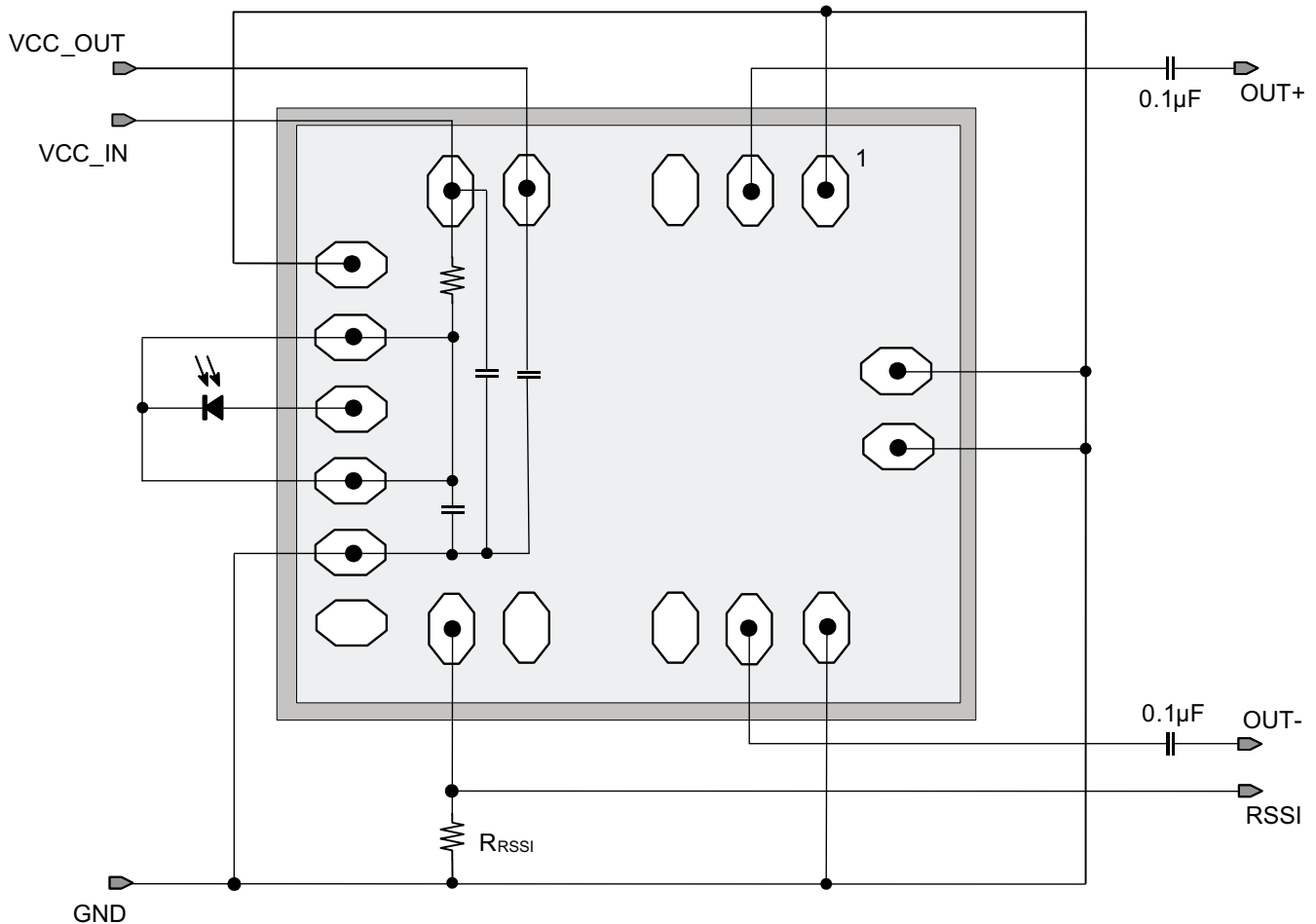


Figure 15. Basic Application Circuit for PIN Receivers

## ASSEMBLY RECOMMENDATIONS

Careful attention to assembly parasitics and external components is necessary to achieve optimal performance.

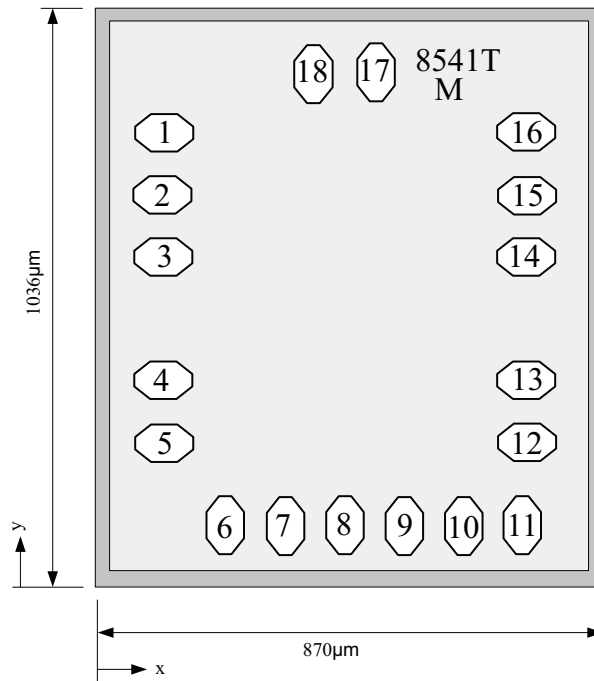
Recommendations that optimize performance include:

1. Minimize the total capacitance on the IN pad by using a low capacitance photodiode and paying attention to stray capacitances. Place the photodiode close to the ONET8541T die in order to minimize the bond wire length and thus the parasitic inductance.
2. Use identical termination and symmetrical transmission lines at the ac coupled differential output pins OUT+ and OUT-.

and OUT–.

- Use short bond wire connections for the supply terminals VCC\_IN, VCC\_OUT, and GND. Supply voltage filtering is provided on chip but filtering may be improved by using an additional external capacitor.

**CHIP DIMENSIONS AND PAD LOCATIONS**



**Die Thickness: 203 ± 13 µm**

**Pad Dimensions: 105 µm × 65 µm**

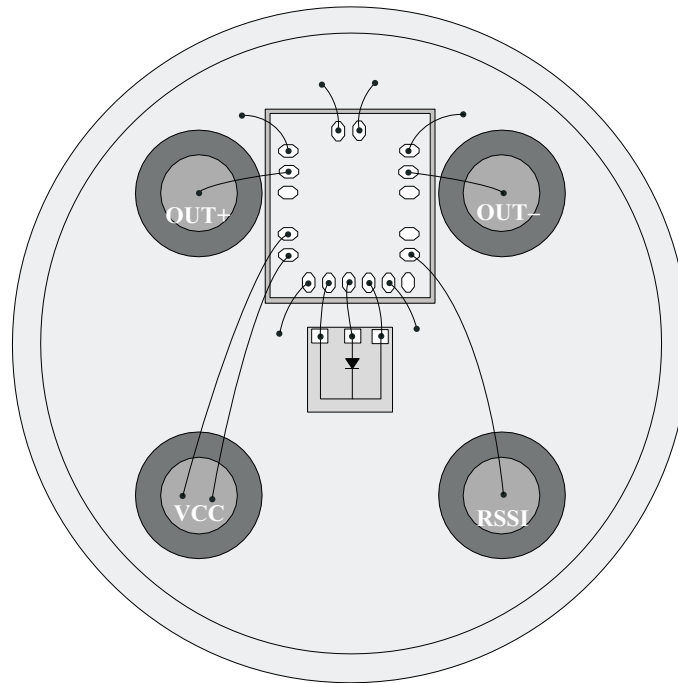
**Die Size: 870 ± 40 µm × 1036 ± 40 µm**

PAD	COORDINATES (referenced to pad 1)		SYMBOL	TYPE	DESCRIPTION
	x (µm)	y (µm)			
1	0	0	GND	Supply	Circuit ground
2	0	-115	OUT+	Analog output	Non-inverted data output
3	0	-230	GND	Supply	Circuit ground
4	0	-460	VCC_OUT	Supply	3.3V supply voltage
5	0	-575	VCC_IN	Supply	3.3V supply voltage
6	115.5	-728	GND	Supply	Circuit ground
7	225.5	-728	FILTER1	Analog	Bias voltage for photodiode
8	335.5	-728	IN	Analog input	Data input to TIA
9	445.5	-728	FILTER2	Analog	Bias voltage for photodiode
10	555.5	-728	GND	Supply	Circuit ground
11	665.5	-728	NC	No connect	Do not connect
12	671	-575	RSSI_IB	Analog output	RSSI output signal for internally biased receivers
13	671	-460	RSSI_EB	Analog output	RSSI output signal for externally biased receivers
14	671	-230	GND	Supply	Circuit ground
15	671	-115	OUT–	Analog output	Inverted data output
16	671	0	GND	Supply	Circuit ground
17	393	109	GND	Supply	Circuit ground

PAD	COORDINATES (referenced to pad 1)		SYMBOL	TYPE	DESCRIPTION
	x (μm)	y (μm)			
18	278	109	GND	Supply	Circuit ground

**TO46 LAYOUT EXAMPLE**

An example for a layout using a ground-signal-ground (GSG) type pin photodiode in a 5 pin TO46 can is shown in Figure 16. Figure 17 shows an example with a PIN photodiode having two contacts on the topside.



**Figure 16. TO46 5 Pin Layout Using the ONET8541T with a GSG PIN Diode**

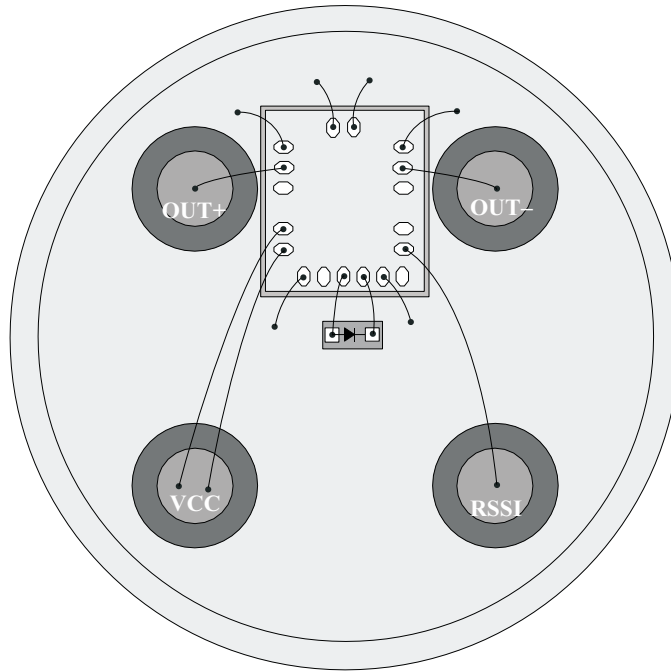


Figure 17. TO46 5 Pin Layout Using the ONET8541T with a Two Contact PIN Diode

## REVISION HISTORY

Changes from Original (July 2011) to Revision A	Page
• Changed die size .....	1
• Changed die size .....	11

**PACKAGING INFORMATION**

Orderable Device	Status (1)	Package Type	Package Drawing	Pins	Package Qty	Eco Plan (2)	Lead/Ball Finish	MSL Peak Temp (3)	Op Temp (°C)	Device Marking (4/5)	Samples
ONET8541TY	ACTIVE	DIESALE	Y	0	360	Green (RoHS & no Sb/Br)	Call TI	N / A for Pkg Type	-40 to 100		Samples

(1) The marketing status values are defined as follows:

**ACTIVE:** Product device recommended for new designs.

**LIFEBUY:** TI has announced that the device will be discontinued, and a lifetime-buy period is in effect.

**NRND:** Not recommended for new designs. Device is in production to support existing customers, but TI does not recommend using this part in a new design.

**PREVIEW:** Device has been announced but is not in production. Samples may or may not be available.

**OBSOLETE:** TI has discontinued the production of the device.

(2) Eco Plan - The planned eco-friendly classification: Pb-Free (RoHS), Pb-Free (RoHS Exempt), or Green (RoHS & no Sb/Br) - please check <http://www.ti.com/productcontent> for the latest availability information and additional product content details.

**TBD:** The Pb-Free/Green conversion plan has not been defined.

**Pb-Free (RoHS):** TI's terms "Lead-Free" or "Pb-Free" mean semiconductor products that are compatible with the current RoHS requirements for all 6 substances, including the requirement that lead not exceed 0.1% by weight in homogeneous materials. Where designed to be soldered at high temperatures, TI Pb-Free products are suitable for use in specified lead-free processes.

**Pb-Free (RoHS Exempt):** This component has a RoHS exemption for either 1) lead-based flip-chip solder bumps used between the die and package, or 2) lead-based die adhesive used between the die and leadframe. The component is otherwise considered Pb-Free (RoHS compatible) as defined above.

**Green (RoHS & no Sb/Br):** TI defines "Green" to mean Pb-Free (RoHS compatible), and free of Bromine (Br) and Antimony (Sb) based flame retardants (Br or Sb do not exceed 0.1% by weight in homogeneous material)

(3) MSL, Peak Temp. -- The Moisture Sensitivity Level rating according to the JEDEC industry standard classifications, and peak solder temperature.

(4) There may be additional marking, which relates to the logo, the lot trace code information, or the environmental category on the device.

(5) Multiple Device Markings will be inside parentheses. Only one Device Marking contained in parentheses and separated by a "~" will appear on a device. If a line is indented then it is a continuation of the previous line and the two combined represent the entire Device Marking for that device.

**Important Information and Disclaimer:** The information provided on this page represents TI's knowledge and belief as of the date that it is provided. TI bases its knowledge and belief on information provided by third parties, and makes no representation or warranty as to the accuracy of such information. Efforts are underway to better integrate information from third parties. TI has taken and continues to take reasonable steps to provide representative and accurate information but may not have conducted destructive testing or chemical analysis on incoming materials and chemicals. TI and TI suppliers consider certain information to be proprietary, and thus CAS numbers and other limited information may not be available for release.

In no event shall TI's liability arising out of such information exceed the total purchase price of the TI part(s) at issue in this document sold by TI to Customer on an annual basis.

## IMPORTANT NOTICE

Texas Instruments Incorporated and its subsidiaries (TI) reserve the right to make corrections, enhancements, improvements and other changes to its semiconductor products and services per JESD46, latest issue, and to discontinue any product or service per JESD48, latest issue. Buyers should obtain the latest relevant information before placing orders and should verify that such information is current and complete. All semiconductor products (also referred to herein as "components") are sold subject to TI's terms and conditions of sale supplied at the time of order acknowledgment.

TI warrants performance of its components to the specifications applicable at the time of sale, in accordance with the warranty in TI's terms and conditions of sale of semiconductor products. Testing and other quality control techniques are used to the extent TI deems necessary to support this warranty. Except where mandated by applicable law, testing of all parameters of each component is not necessarily performed.

TI assumes no liability for applications assistance or the design of Buyers' products. Buyers are responsible for their products and applications using TI components. To minimize the risks associated with Buyers' products and applications, Buyers should provide adequate design and operating safeguards.

TI does not warrant or represent that any license, either express or implied, is granted under any patent right, copyright, mask work right, or other intellectual property right relating to any combination, machine, or process in which TI components or services are used. Information published by TI regarding third-party products or services does not constitute a license to use such products or services or a warranty or endorsement thereof. Use of such information may require a license from a third party under the patents or other intellectual property of the third party, or a license from TI under the patents or other intellectual property of TI.

Reproduction of significant portions of TI information in TI data books or data sheets is permissible only if reproduction is without alteration and is accompanied by all associated warranties, conditions, limitations, and notices. TI is not responsible or liable for such altered documentation. Information of third parties may be subject to additional restrictions.

Resale of TI components or services with statements different from or beyond the parameters stated by TI for that component or service voids all express and any implied warranties for the associated TI component or service and is an unfair and deceptive business practice. TI is not responsible or liable for any such statements.

Buyer acknowledges and agrees that it is solely responsible for compliance with all legal, regulatory and safety-related requirements concerning its products, and any use of TI components in its applications, notwithstanding any applications-related information or support that may be provided by TI. Buyer represents and agrees that it has all the necessary expertise to create and implement safeguards which anticipate dangerous consequences of failures, monitor failures and their consequences, lessen the likelihood of failures that might cause harm and take appropriate remedial actions. Buyer will fully indemnify TI and its representatives against any damages arising out of the use of any TI components in safety-critical applications.

In some cases, TI components may be promoted specifically to facilitate safety-related applications. With such components, TI's goal is to help enable customers to design and create their own end-product solutions that meet applicable functional safety standards and requirements. Nonetheless, such components are subject to these terms.

No TI components are authorized for use in FDA Class III (or similar life-critical medical equipment) unless authorized officers of the parties have executed a special agreement specifically governing such use.

Only those TI components which TI has specifically designated as military grade or "enhanced plastic" are designed and intended for use in military/aerospace applications or environments. Buyer acknowledges and agrees that any military or aerospace use of TI components which have **not** been so designated is solely at the Buyer's risk, and that Buyer is solely responsible for compliance with all legal and regulatory requirements in connection with such use.

TI has specifically designated certain components as meeting ISO/TS16949 requirements, mainly for automotive use. In any case of use of non-designated products, TI will not be responsible for any failure to meet ISO/TS16949.

### Products

Audio	<a href="http://www.ti.com/audio">www.ti.com/audio</a>
Amplifiers	<a href="http://amplifier.ti.com">amplifier.ti.com</a>
Data Converters	<a href="http://dataconverter.ti.com">dataconverter.ti.com</a>
DLP® Products	<a href="http://www.dlp.com">www.dlp.com</a>
DSP	<a href="http://dsp.ti.com">dsp.ti.com</a>
Clocks and Timers	<a href="http://www.ti.com/clocks">www.ti.com/clocks</a>
Interface	<a href="http://interface.ti.com">interface.ti.com</a>
Logic	<a href="http://logic.ti.com">logic.ti.com</a>
Power Mgmt	<a href="http://power.ti.com">power.ti.com</a>
Microcontrollers	<a href="http://microcontroller.ti.com">microcontroller.ti.com</a>
RFID	<a href="http://www.ti-rfid.com">www.ti-rfid.com</a>
OMAP Applications Processors	<a href="http://www.ti.com/omap">www.ti.com/omap</a>
Wireless Connectivity	<a href="http://www.ti.com/wirelessconnectivity">www.ti.com/wirelessconnectivity</a>

### Applications

Automotive and Transportation	<a href="http://www.ti.com/automotive">www.ti.com/automotive</a>
Communications and Telecom	<a href="http://www.ti.com/communications">www.ti.com/communications</a>
Computers and Peripherals	<a href="http://www.ti.com/computers">www.ti.com/computers</a>
Consumer Electronics	<a href="http://www.ti.com/consumer-apps">www.ti.com/consumer-apps</a>
Energy and Lighting	<a href="http://www.ti.com/energy">www.ti.com/energy</a>
Industrial	<a href="http://www.ti.com/industrial">www.ti.com/industrial</a>
Medical	<a href="http://www.ti.com/medical">www.ti.com/medical</a>
Security	<a href="http://www.ti.com/security">www.ti.com/security</a>
Space, Avionics and Defense	<a href="http://www.ti.com/space-avionics-defense">www.ti.com/space-avionics-defense</a>
Video and Imaging	<a href="http://www.ti.com/video">www.ti.com/video</a>

### TI E2E Community

[e2e.ti.com](http://e2e.ti.com)