



## TMR 48 analogue timers TMR 48 A Part number 88886106



- Multi-function or mono-function
- Multi-range from 0.02 s to 300 h
- Multi-voltage 12 to 240 VDC / 24 to 240 V AC
- Time setting displayed on dial
- 2 changeover relays 5 A / 250 VAC
- Display of power and output states by 2 LEDs
- Housing 48 x 48 mm

### Part numbers

|          | Type     | Max. breaking current | Functions | Connection    | Relay outputs      | Supply voltage          |
|----------|----------|-----------------------|-----------|---------------|--------------------|-------------------------|
| 88886106 | TMR 48 A | 5 A / 250 VAC         | A         | Plug-in 8 way | 2 timed changeover | 12 →240 VDC 24 →240 VAC |

### Specifications

|   |  |
|---|--|
| Supply voltage Un   | 12 →240 VDC<br>24 →240 V AC  |
| Operating range   | ± 10 % DC supply<br>- 15 % / + 10 % AC supply  |
| Frequency   | 50 / 60 Hz   |
| Power consumption   | 4.8 VA / 230 VAC<br>2.5 VA / 110 VAC<br>1.1 VA / 24 VAC<br>0.5 W / 24 VDC<br>0.8 W / 12 VDC  |
| Timing ranges (14 available options)                                | 0,02 →1,2 s<br>0,05 →3 s<br>0,2 →12 s<br>0,5 →30 s<br>2 →120 s<br>5 →300 s<br>0,2 →12 min.<br>0,5 →30 min.<br>2 →120 min.<br>5 →300 min.<br>0,2 →12 h<br>0,5 →30 h<br>2 →120 h<br>5 →300 h |
| Repetition accuracy   | ± 0.5 % of full scale at 25 °C (typical with constant parameters)  |
| Temperature drift according to CEI/EN 61812                         | ± 0.05 % of full scale   |
| Display precision   | ± 5 % of full scale at 25 °C   |
| Minimum pulse duration START  | 25 ms  |
| Minimum pulse duration GATE   | 60 ms  |
| Minimum pulse duration RESET  | 60 ms  |
| Retard à la disponibilité par coupure de tension (START strappé)    | 50 ms  |
| Nominal rating  | 2 x 5 A  |
| Nominal insulation voltage  | 250 VAC  |
| Rated power (resistive load)  | 2000 VA  |
| Minimum current   | 10 mA  |
| Electrical life at I max. 250 V AC resistive (number of operations) | 10 <sup>5</sup>  |
| Mechanical life (operations)  | 30 x 10 <sup>6</sup>   |
| Display of output state by 2 LEDs                                   | Green : power ON<br>flashing during timing<br>Yellow : ON output ON<br>OFF output OFF  |
| Operating temperature range (°C)                                    | -20 →+55   |
| Storage temperature range (°C)                                      | -40 →+70   |
| Breakdown voltage   | 2 KV   |
| Protection class (IEC 60529) - Panel-mounted                        | IP 50  |
| Protection class (IEC EN/60529) - Casing                            | IP 40  |
| Housing material  | self-extinguishing   |
| Weight (g)  | 140  |

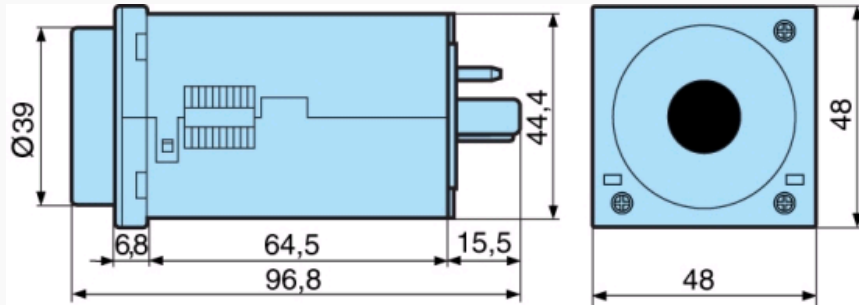
### Accessories

| Accessories | Code |
|-------------|------|
|             |      |

|                              |          |
|------------------------------|----------|
| 11-pin connector base        | 25622080 |
| 8-pin connector base         | 25622130 |
| Spring clips (pack of 2)     | 79237739 |
| *** TRADUCTION MANQUANTE *** | •        |

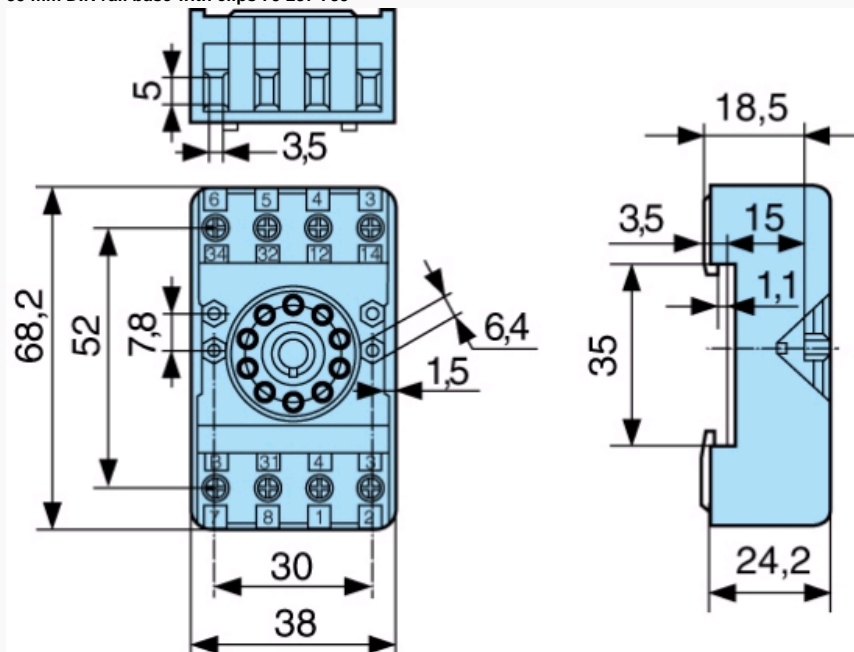
#### Dimensions (mm)

TMR 48 U / A / X / L



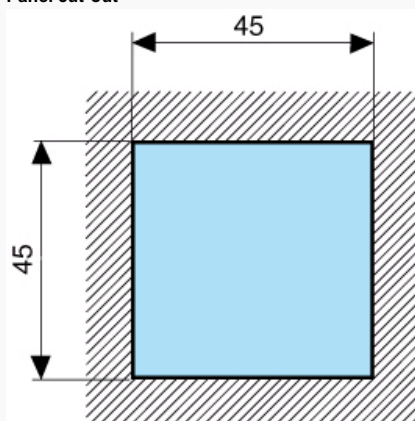
#### Dimensions (mm)

35 mm DIN rail base with clips 79 237 739



#### Dimensions (mm)

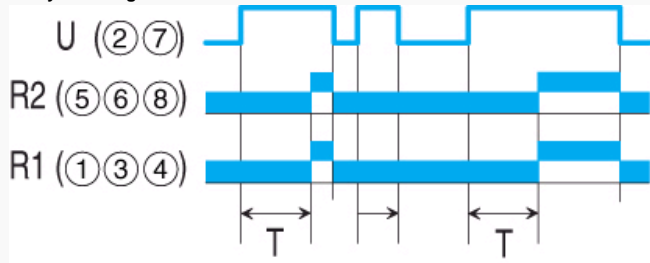
Panel cut-out



#### Curves

Function A (TMR 48 A)

Delay on energisation



Connections

TMR 48 A

