



812 - 814 - 815 - 815 E digital timers Timer 814 Part number 88857103



Relay output digital timers

- LCD or LED (815E)
- Multi-range
- Multi-voltage
- 1 or 2 relay outputs
- Reset function on panel (Timers 815, 815E)
- Data saved in the event of a break in supply (Timer 815, 815E)
- Access to programming lockable (Timer 814, 815 and 815E)
- Up or down timing mode
- Internal power supply by battery (10 years / 20 °C) (Not 815E)

Part numbers

| Type | Functions | Connections | Relay outputs | Supply voltage | Nominal rating | |
|----------|-----------|-------------------|----------------|--------------------|--------------------------|-----|
| 88857103 | Timer 814 | A, B, C, D, Di, H | 11-pin plug-in | 1 timed changeover | 12 V DC / 24 → 48 V ACDC | 8 A |

Specifications

| | |
|--|--|
| Number of digits | 4 |
| Height of digits | TIMER 812 - 814 - 815 : 8 mm TIMER 815E : 7mm |
| Timing ranges | 99,99 s 999,9 s 9999 s 99 min 59 s 99,99 min 999,9 min 9999 min 99 h 59 min 99,99 h 999,9 h 9999 h (? 815E) |
| Repetition accuracy (with constant parameters) | TIMER 812 - 814 - 815 : $\pm 0,03 \% \pm 20$ ms TIMER 815E : $\pm 0,01$ % |
| Display precision | TIMER 812 - 814 - 815 : $\pm 0,03 \% \pm 20$ ms TIMER 815E : $\pm 0,01$ % |
| Min. control pulse | 50 ms |
| Maximum reset time by de-energisation during timed delay | 50 ms |
| Maximum reset time by de-energisation after timing | 50 ms |
| Nominal rating | TIMER 814 - 815 : 8 A AC 8 A DC TIMER 812 : 5 A AC 5 A DC TIMER 815E : 5 A - 250 V AC |
| Max. breaking voltage | TIMER 812 - 814 - 815 : 250 V AC 30 V DC TIMER 815E : 250 V AC 20 V DC |
| Maximum power rating (resistive) | TIMER 814 - 815 : 2000 VA - 190 W TIMER 812 : 1250 VA - 120 W TIMER 815E : 1500 VA - 100 W |
| Maximum admissible current | 15 A < 0,01 s |
| Minimum current | TIMER 812 - 814 - 815 : 250 V AC 30 V DC 100 mA TIMER 815E : 500 mW (10 V / 5 mA) |
| Electrical life at I max., 250 V AC resistive (cycles) | 10 ⁵ |
| Max. permitted number of operations at 1 max 250 V AC resistive per hour | 600 |
| Mechanical life (operations) | TIMER 812 - 814 - 815 : 5 x 10 ⁶ TIMER 815E : 20 x 10 ⁶ |
| Voltage variation | TIMER 814 : + 10 % - 15 % TIMER 815E : + 10 % - 10 % |
| Immunity from micro power cuts | < 0,03 s |
| Max. absorbed power | 0.5 W / 12 V 1 VA / 24 V 0.5 W / 24 V 3.5 VA / 110 V 1 W / 48 V 11 VA / 220 V TIMER 815E : Max. 3 W |
| Temperature limits use (°C) | TIMER 812 - 814 - 815 : -10 °C → +60 °C TIMER 815E : 0 °C → +60 °C |
| Temperature limits stored (°C) | TIMER 812 - 814 - 815 : -30 °C → +70 °C TIMER 815E : -30 °C → +80 °C |
| Degree of protection front face | TIMER 812 - 814 - 815 : IP65 TIMER 815E : IP30 |
| Insulation according to standard IEC/EN 61812-1, IEC/EN 60255-5 | EN61812-1 - IEC255-5 |
| Protection class according to CEI/EN 60529 | ■ |

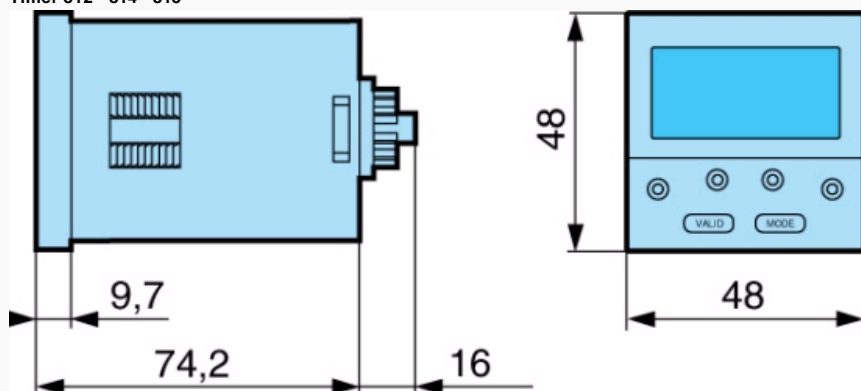
| | |
|---------------------------------|--|
| Mounting Front panel, by clip | ▪ |
| Mounting base-mounted on socket | ▪ |
| Material | Self-extinguishing UL 94 grade V0 |
| Weight (g) | TIMER 814 : 100 TIMER 812 - 815 : 140 TIMER 815E : 120 |

Accessories

| Accessories | Code |
|------------------------------|----------|
| 8-pin solder-connected plug | 25622301 |
| 11-pin solder-connected plug | 25622076 |
| Spring clips (pack of 2) | 79237739 |
| 11-pin connector base | 25622080 |
| 8-pin connector base | 25622130 |
| 11-pole rear base | 79694002 |

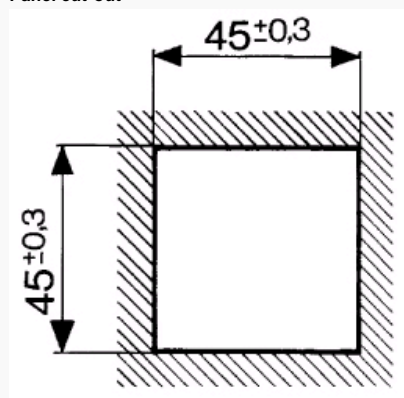
Dimensions (mm)

Timer 812 - 814 - 815



Dimensions (mm)

Panel cut-out

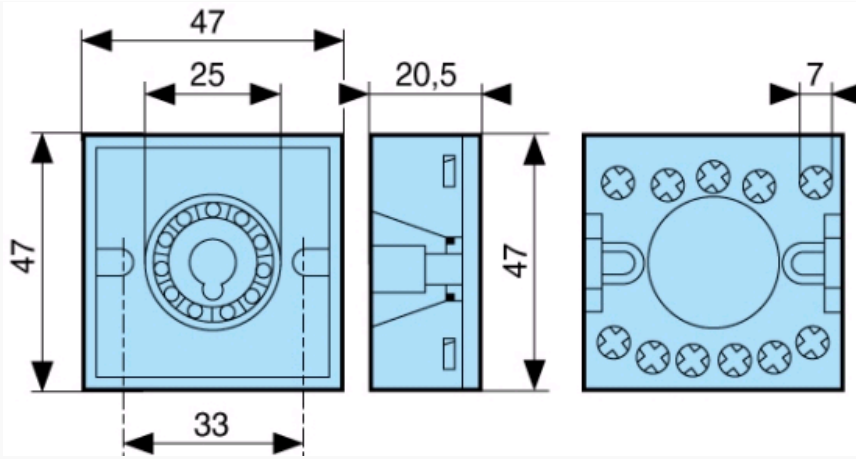


Dimensions (mm)

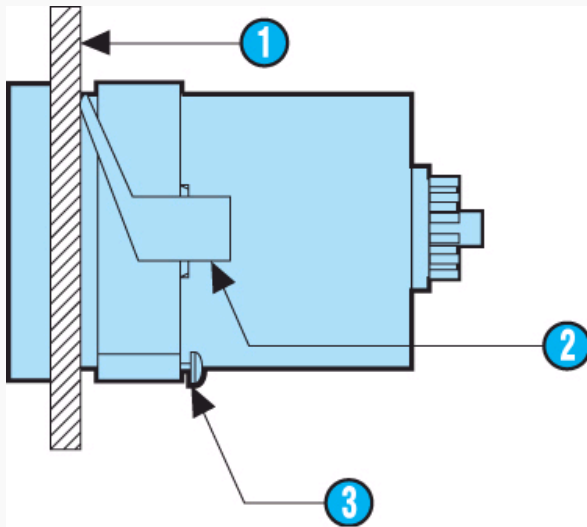
11-pole rear base

79694002

Panel-mounted



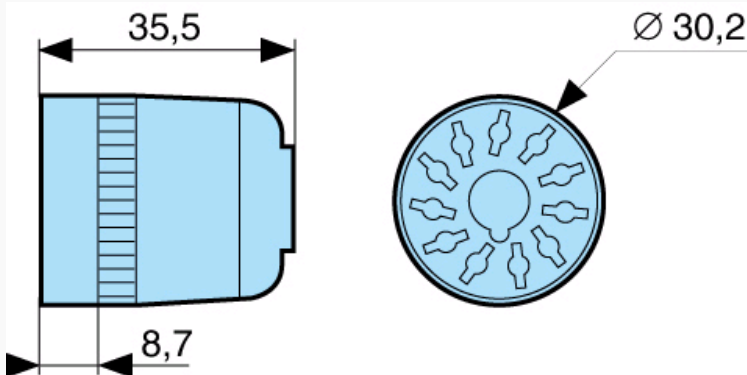
Dimensions (mm)



| N° | Legend |
|----|-----------------------------|
| 1 | Panel thickness 1 to 3,5 mm |
| 2 | Clip for panel-mounting |
| 3 | Positioning screw |

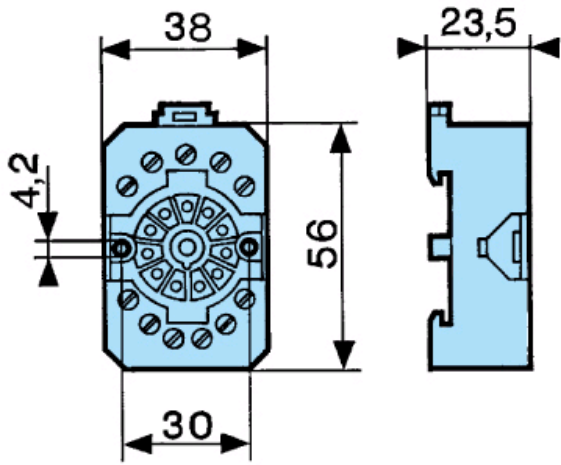
Dimensions (mm)

8-pin or 11-pin solder-connected plug
25 622 076 - 25 622 301



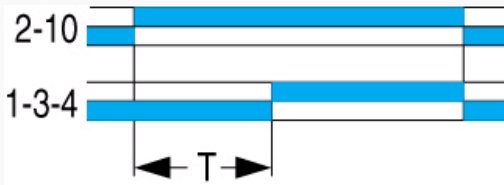
Dimensions (mm)

Connector socket
11-pin 25622080
8-pin 25622130



Curves

Function A

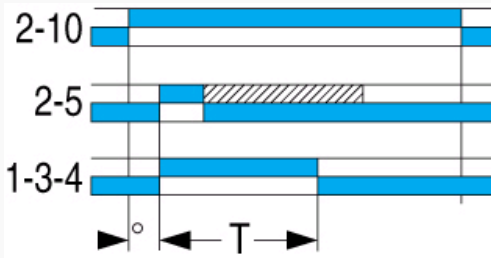


Function A

Delay on energisation
1 timed relay

Curves

Function B

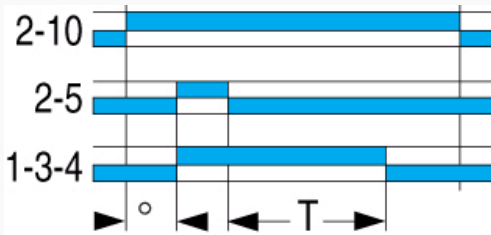


Function B

Timing on impulse (one shot)

Curves

Function C

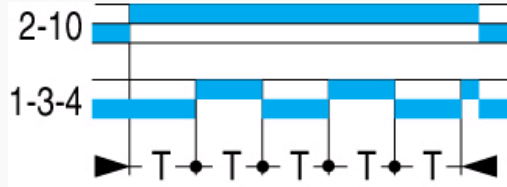


Function C

Timing after impulse (delay off)

Curves

Function D

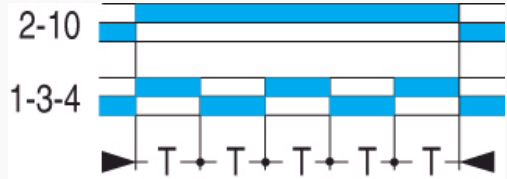


Function D

Flip-flop

Curves

Function Di

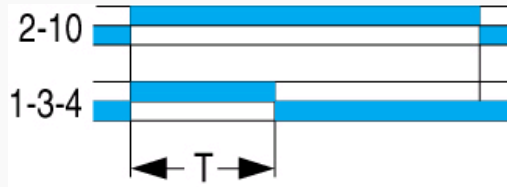


Function Di

Flip-flop

Curves

Function H

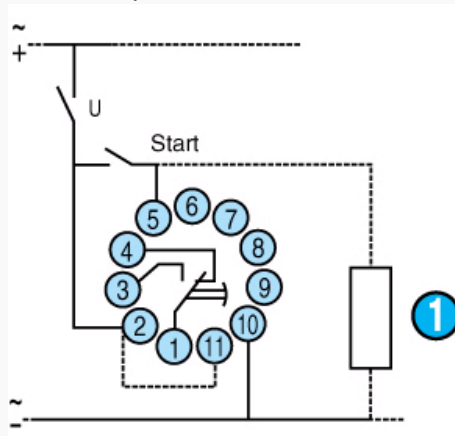


Function H

Timing or energisation

Connections

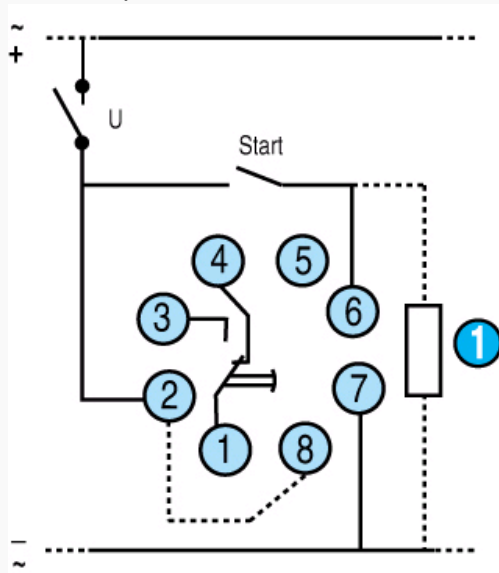
Timer 814 - 11-pin



| N° | Legend |
|----|--|
| 1 | Other loads may be connected in parallel |

Connections

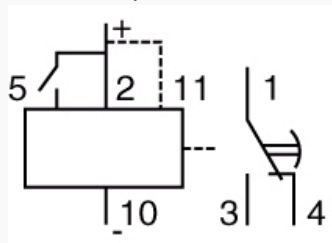
Timer 814 - 8-pin



| N° | Legend |
|----|--|
| ① | Other loads may be connected in parallel |

Connections

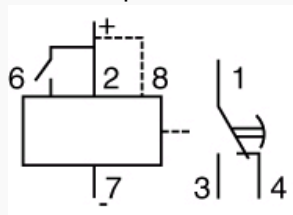
Timer 814 - 11-pin



| N° | Legend |
|--------|--------------------------------|
| 2-10 | Supply |
| (2-11) | Bridge (88 857 003-88 857 005) |
| 2-5 | Control contact or reset |
| 1-3-4 | Timed output contact |

Connections

Timer 814 - 8-pin



| N° | Legend |
|-------|--------------------------------|
| 2-7 | Supply |
| (2-8) | Bridge (88 857 103-88 857 105) |
| 2-6 | Control contact reset |

1-3-4

Timed output contact