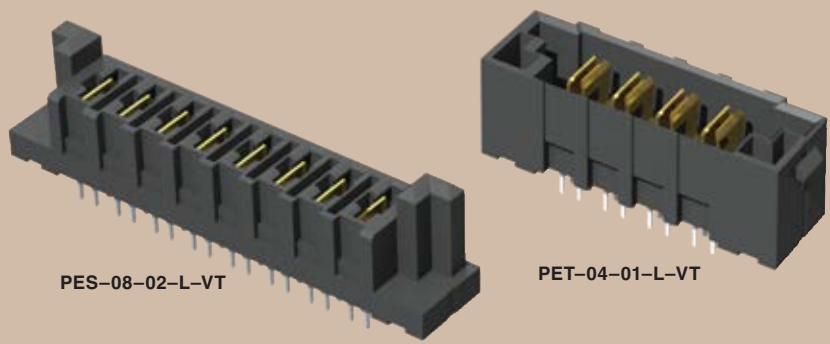


(6,35 mm) .250"

PES, PET SERIES



35A HIGH POWER HEADER & SOCKET

PES Mates with:
PET

PET Mates with:
PES, PESS

SPECIFICATIONS

For complete specifications see www.samtec.com?PET or www.samtec.com?PES

Insulator Material:

Black LCP

Terminal Material:

Copper Alloy

Plating:

Sn or Au over 50µ" (1,27 µm) Ni

Operating Temp Range:

-55°C to +105°C with Tin

-55°C to +125°C with Gold

Voltage Rating:

725 VAC/1025 VDC

Wiping Distance (PES):

(0,38 mm) .015"

RoHS Compliant:

Yes

Lead-Free Solderable:

Yes



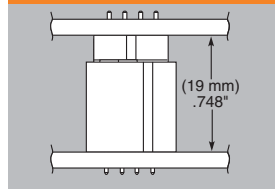
CURRENT RATING (PER CONTACT)		
AMBIENT TEMP	PET/PES	
	2 PINS	4 PINS
20°C	47A	43A
40°C	40A	39A
60°C	33A	31A
75°C	27.6A	26.2A

TIN PLATED

APPLICATION SPECIFIC OPTION

- Locking Clip (Manual placement required).
 - No Latch ears.
- Call Samtec.

MATED HEIGHT



Note: Other Gold plating options available. Contact Samtec.

Note: Some sizes, styles and options are non-standard, non-returnable.

PES	NO. PINS PER ROW	LEAD STYLE	PLATING OPTION	TAIL OPTION	OTHER OPTION
	-02, -04, -06, -08	-01 = Use with (1,60 mm) .062" Thick PCB -02 = Use with (3,18 mm) .125" Thick PCB	-L = 10µ" (0,25 µm) Gold on contact, Matte Tin on tail -T = Matte Tin	-VT = Vertical -RA = Right Angle (Screw Down option required)	-SD = Screw Down (Right Angle only)

LEAD STYLE	A
-01	(2,35) .093
-02	(3,95) .156

ALSO AVAILABLE
Combination Signal/Power: See PESC or PETC Series.

• Screw down (right angle)

PET	NO. PINS PER ROW	LEAD STYLE	PLATING OPTION	TAIL OPTION	OTHER OPTION
	-02, -04, -06, -08	-01 = Use with (1,60 mm) .062" Thick PCB -02 = Use with (3,18 mm) .125" Thick PCB	-L = 10µ" (0,25 µm) Gold on contact, Matte Tin on tail -T = Matte Tin	-VT = Vertical -RA = Right Angle (Screw Down option required)	-SD = Screw Down (Right Angle only)

LEAD STYLE	A
-01	(2,35) .093
-02	(3,95) .156

Due to technical progress, all designs, specifications and components are subject to change without notice.

WWW.SAMTEC.COM