



(0,635 mm) .025"

QSS-RA SERIES

QSS-050-01-L-D-RA-WT

QSS-025-01-L-D-RA

RIGHT ANGLE GROUND PLANE SOCKET

SPECIFICATIONS

For complete specifications and recommended PCB layouts see www.samtec.com?QSS-RA

Insulator Material:

Liquid Crystal Polymer



Contact Material:

Phosphor Bronze

Plating:

Au or Sn over 50µ" (1,27 µm) Ni

Current Rating:

1.2A per contact @ 30°C Temperature Rise (Inner Row)

Operating Temp:

-55°C to +125°C

Voltage Rating:

275 VAC mated with QTS-RA

RoHS Compliant:

Yes

Processing:

Lead-Free Solderable:

Yes

SMT Lead Coplanarity:

(0,10 mm) .004" max (025-075)

Board Mates:
QTS

Cable Mates:
SQCD

APPLICATIONS



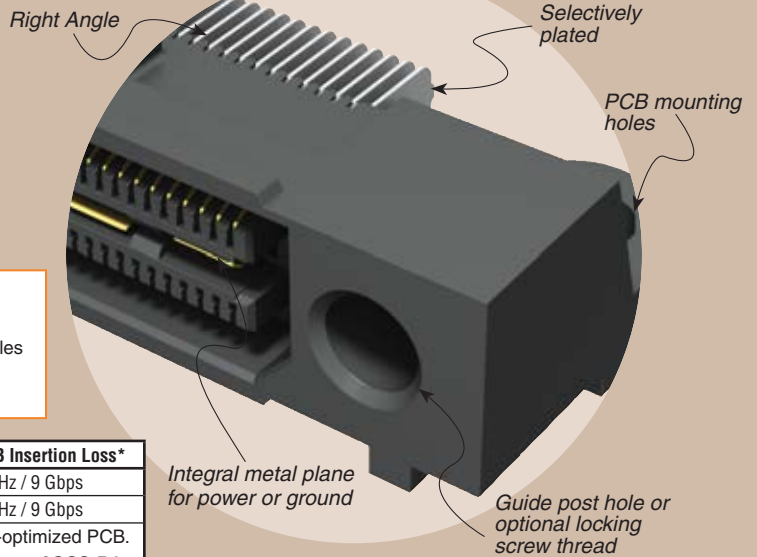
HORIZONTAL



- Guide posts
- Weld tabs
- PCB mounting holes
- Solder pin option

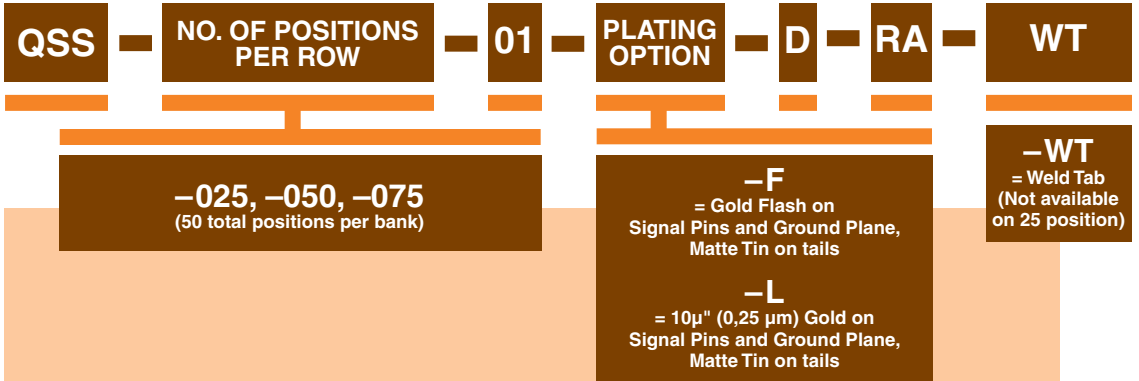
QSS-RA/QTS-RA	Type	Rated @ 3dB Insertion Loss*
Single-Ended Signaling	-D	4.50 GHz / 9 Gbps
Differential Pair Signaling	-D	4.50 GHz / 9 Gbps

*Performance data includes effects of a non-optimized PCB.
Complete test data available at www.samtec.com?QSS-RA or contact sig@samtec.com

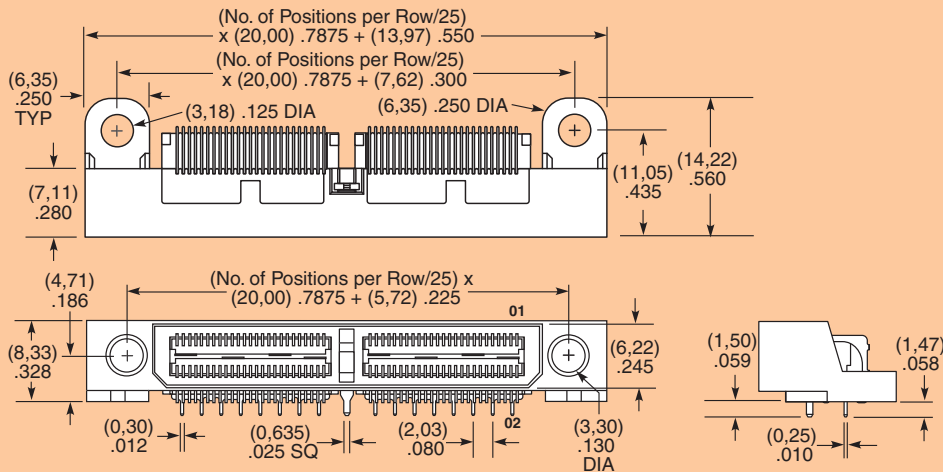


APPLICATION SPECIFIC OPTION

- 30µ" (0,76 µm) Gold
 - Tray Packaging
 - Lead style for (2,36 mm) .093" thick board
 - Threaded insert (-MTI) for mating with SQCD with captive screws
 - -LS1 Locking Screw Hole for mating with QTS-RA-LS1
 - 100 positions per row
- Call Samtec.



APPLICATION



Note: Some lengths, styles and options are non-standard, non-returnable.

Due to technical progress, all designs, specifications and components are subject to change without notice.

WWW.SAMTEC.COM