

Miniature Fuse, 5 x 20 mm, Time-Lag T, Telecom, H, 250 VAC



IEC 60127-2 · 250 VAC · Time-Lag T

**Description**

- Ceramic Tube

Standards

- IEC 60127-2/5
- UL 248-14
- CSA C22.2 no. 248.14
- Telcordia GR-1089
- UL 60950 / IEC 60950
- ITU-T K.20 and K.21
- TIA-968-A

Approvals

- VDE Certificate Number: 40014395
- UL File Number: E41599


References

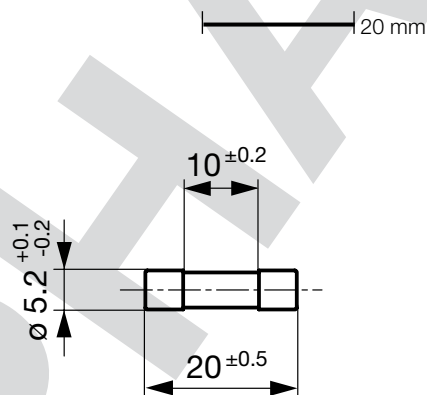
This type is Phase-out without alternate type
Last order date: 31.12.2012

Weblinks

[pdf-datasheet](#), [html-datasheet](#), [General Product Information](#), [Approvals](#), [CE declaration of conformity](#), [RoHS](#), [CHINA-RoHS](#), [e-Shop](#), [SCHURTER-Stock-Check](#), [Distributor-Stock-Check](#), [Detailed request for product](#)

Technical Data

Rated Voltage	250VAC
Rated current	0.5 - 3.15A
Breaking Capacity	1500A
Characteristic	Time-Lag T
Mounting	Fuseholder / Clip
Admissible Ambient Air Temp.	-40 °C to 85 °C
Climatic Category	40/085/21 acc. to IEC 60068-1
Material: Tube	Ceramic
Material: Endcaps	Nickel-Plated Copper Alloy
Unit Weight	1 g
Storage Conditions	0 °C to 60 °C, max. 70% r.h.
Product Marking	 Current, Dielectric strength, Characteristic, Breaking Capacity, Approvals

Dimensions**Pre-Arcing Time**

Rated Current In	1.5 x In min.	2.1 x In max.	2.75 x In min.	2.75 x In max.	4.0 x In min.	4.0 x In max.	10.0 x In min.	10.0 x In max.
------------------	---------------	---------------	----------------	----------------	---------------	---------------	----------------	----------------

0.5 A - 6.3 A	60 min	30 min	250 ms	80 s	50 ms	5 s	5 ms	150 ms
---------------	--------	--------	--------	------	-------	-----	------	--------

Variants

Rated Current [A]	Rated Voltage [VAC]	Voltage Drop 1.0 I _n typ. [mV]	Power Dissipation 1.5 I _n typ. [mW]	Melting I ² t 10.0 Intyp. [A ² s]	GR-1089-CORE [A]	UL60950	ITU - Lightning Surge [A]	ITU - Power Induc-	ITU - Power Contact [A]	Order Number
0.5	250	360	500	0.5	> 14.0	●	27.7	●	1500.0	2020.0001
0.63	250	330	500	1.55	> 14.0	●	57	●	1500.0	2020.0002
0.8	250	260	500	2.3	> 14.0	●	67	●	1500.0	2020.0003
1	250	180	500	1.1	> 14.0	●	57	●	1500.0	2020.0004
1.25	250	150	500	1.86	> 14.0	●	67	●	1500.0	2020.0005
1.6	250	130	500	4.35	> 14.0	●	67	●	1500.0	2020.0006
2	250	120	600	9.2	> 14.0	●	67	●	1500.0	2020.0007
2.5	250	100	600	11.7	> 14.0	●	67	●	1500.0	2020.0008
3.15	250	100	800	33.7	> 14.0	●	67	●	1500.0	2020.0009

1) 1500 A @ 250 VAC

Packaging Unit Plastic Bag (10 pcs.)

[Kennlinien]

