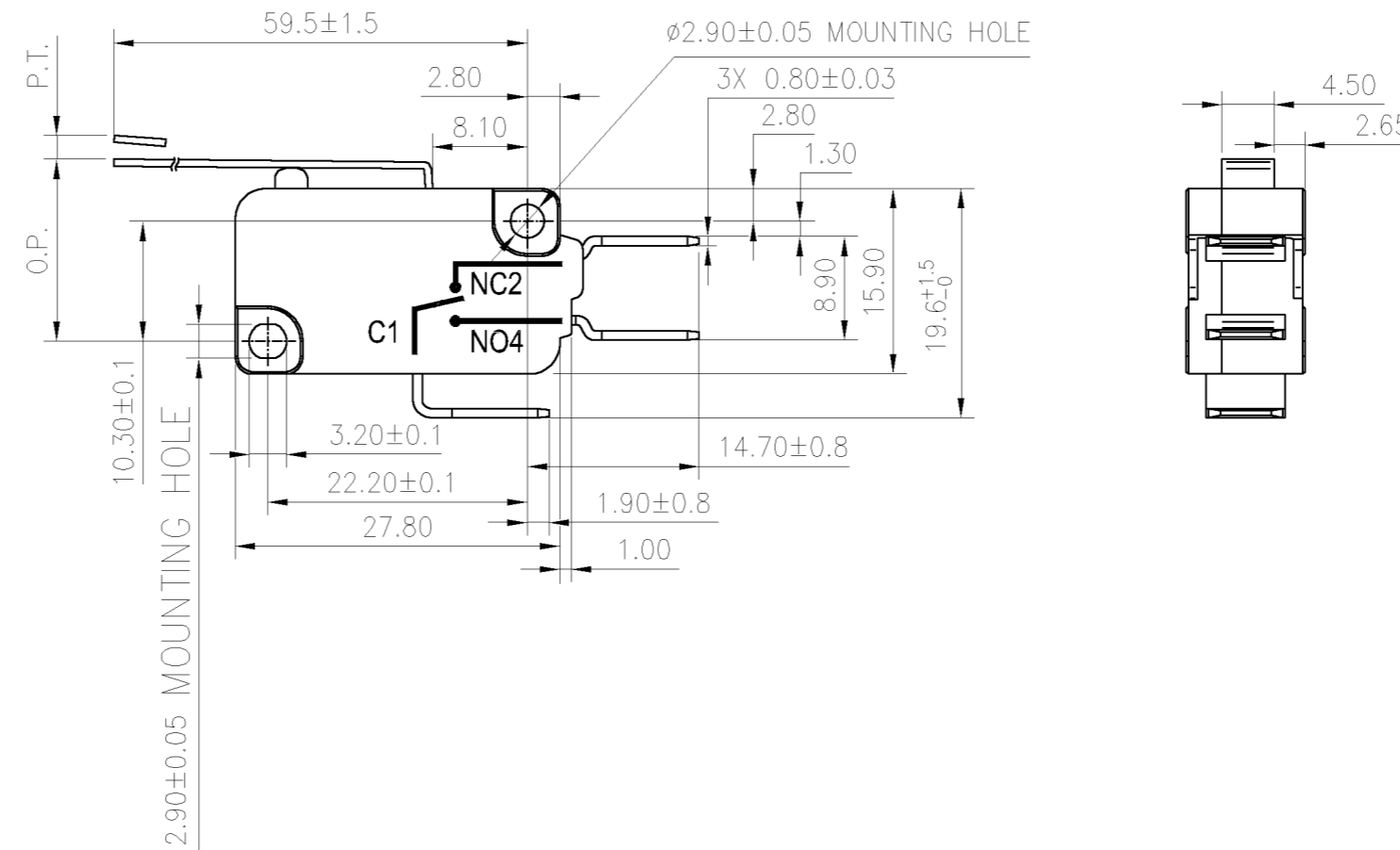
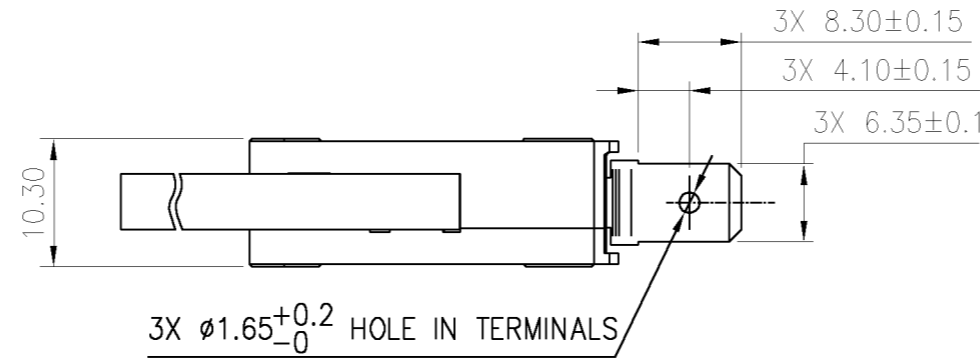





HONEYWELL PART NUMBER
V15H16-CZ300A03-K
PRODUCT CODE
CFW2065

REV	DOCUMENT	CHANGED BY	CHECK
A	0038670	VS 10APR08	BLR



NOTES:
1. TERMINALS WILL ACCEPT 6.35mm WIDE QUICK CONNECT RECEPTACLES AND COMPLY WITH EN61058-1 REQUIREMENTS.

CHARACTERISTICS OPERATING FORCE: 90gf MAX. DIFFERENTIAL FORCE: RELEASE FORCE: 15gf MIN. FREE POSITION: OPERATING POSITION: 15.3±3MM. PRE-TRAVEL: 6.4MM MAX. DIFFERENTIAL TRAVEL: 2.4MM MAX. OVER-TRAVEL: 2.6MM MIN. FULL OVERTRAVEL FORCE:	ELECTRICAL DATA CONTACT ARRANGEMENT S.P.D.T  16(4)A 250V~ 25T150 μ 5E4  16A 1/2HP 125/250VAC	DESIGN UNITS: MM TOLERANCES UNLESS NOTED: NO PLACE X ± ± ONE PLACE .X ± ± TWO PLACE .XX ± ± 0.40 THREE PLACE .XXX ± ± ANGLES X ± ± 2° THIRD ANGLE PROJECTION 	DRAWN KSR 01APR08 CHECK RJ 01APR08	Honeywell TITLE SWITCH - BASIC				
			THIS DRAWING COVERS A PROPRIETARY ITEM AND IS THE PROPERTY OF HONEYWELL. THIS DRAWING IS NOT TO BE COPIED OR USED WITHOUT THE PERMISSION OF HONEYWELL. INTERPRET PER ASME Y14.5M-1994 OTHER HONEYWELL ENGINEERING STANDARDS MAY APPLY					