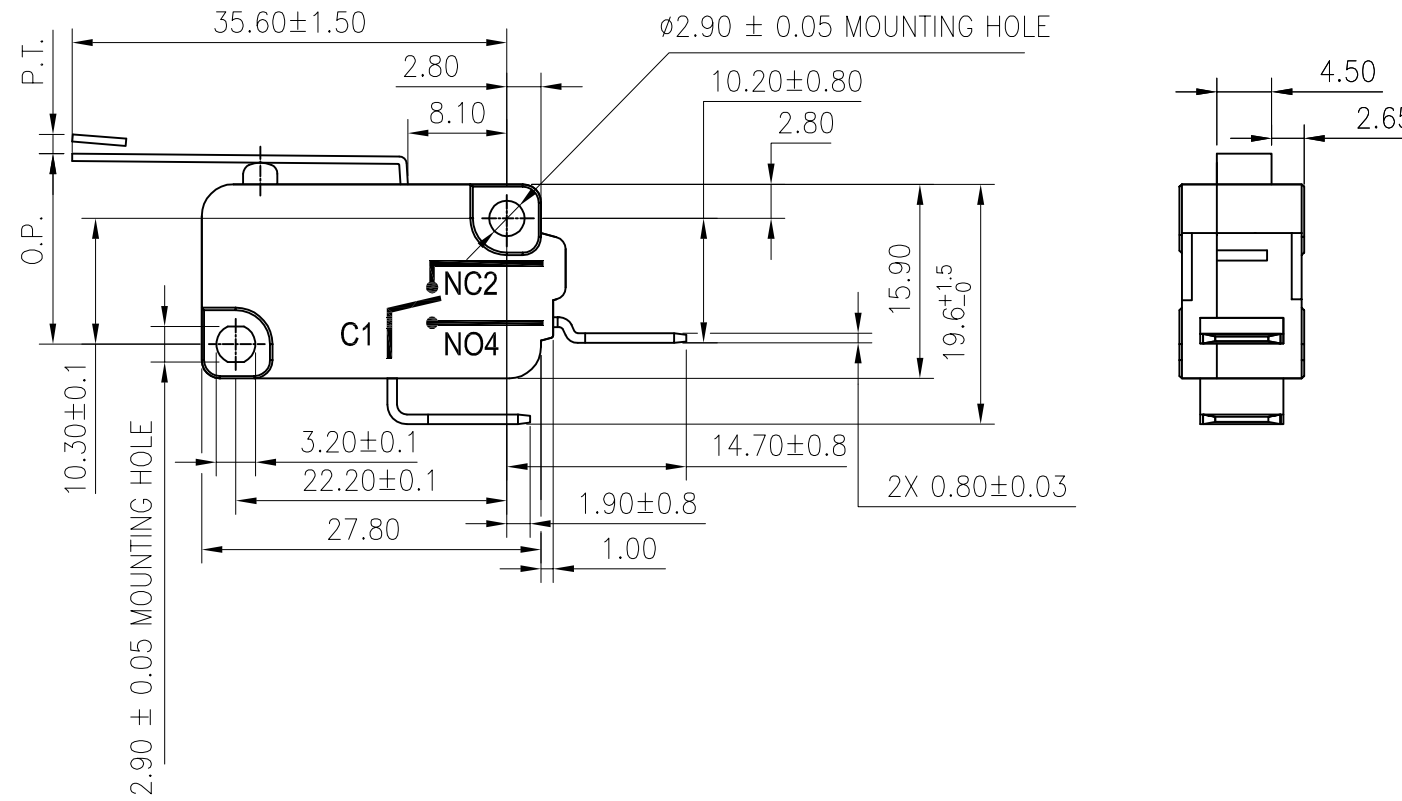
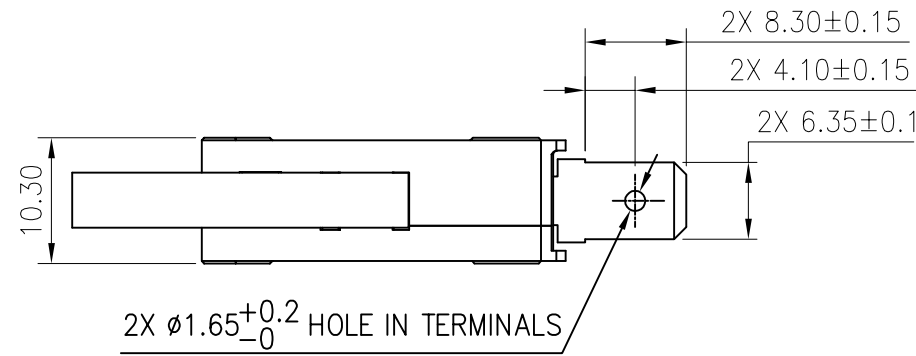


HONEYWELL PART NUMBER
V15H16-CP100A02-K
PRODUCT CODE CWF2024

REV	DOCUMENT	CHANGED BY	CHECK
B	0039823	KVS 14MAY08	ASD



NOTES:

- TERMINALS WILL ACCEPT 6.35mm WIDE QUICK CONNECT RECEPTACLES AND COMPLY WITH EN61058-1 REQUIREMENTS.

CHARACTERISTICS		ELECTRICAL DATA CONTACT ARRANGEMENT S.P.N.O		DESIGN UNITS: MM TOLERANCES UNLESS NOTED:		DRAWN KSR 03DEC07		Honeywell				
OPERATING FORCE: 60gf MAX. DIFFERENTIAL FORCE: RELEASE FORCE: 10gf MIN. FREE POSITION: OPERATING POSITION: 15.3±1.5MM. PRE-TRAVEL: 3.2MM MAX. DIFFERENTIAL TRAVEL: 1.2MM MAX. OVER-TRAVEL: 1.3MM MIN. FULL OVERTRAVEL FORCE:		16(4)A 250V~ 25T150 µ 5E4 16A 1/2HP 125/250VAC		NO PLACE X ± - ONE PLACE .X ± - TWO PLACE .XX ± 0.40 THREE PLACE .XXX ± - ANGLES X ± 2°		CHECK RJ 03DEC07						THIS DRAWING COVERS A PROPRIETARY ITEM AND IS THE PROPERTY OF HONEYWELL. THIS DRAWING IS NOT TO BE COPIED OR USED WITHOUT THE PERMISSION OF HONEYWELL.
						THIRD ANGLE PROJECTION 		INTERPRET PER ASME Y14.5M-1994 OTHER HONEYWELL ENGINEERING STANDARDS MAY APPLY		TITLE SWITCH - BASIC		
						AutoCAD		SIZE B	TYPE I	CAGE CODE	DRAWING NAME V15H16-CP100A02-K	REV B
								SCALE —	SHEET 1 OF 1			