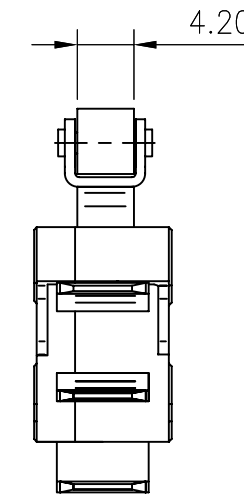
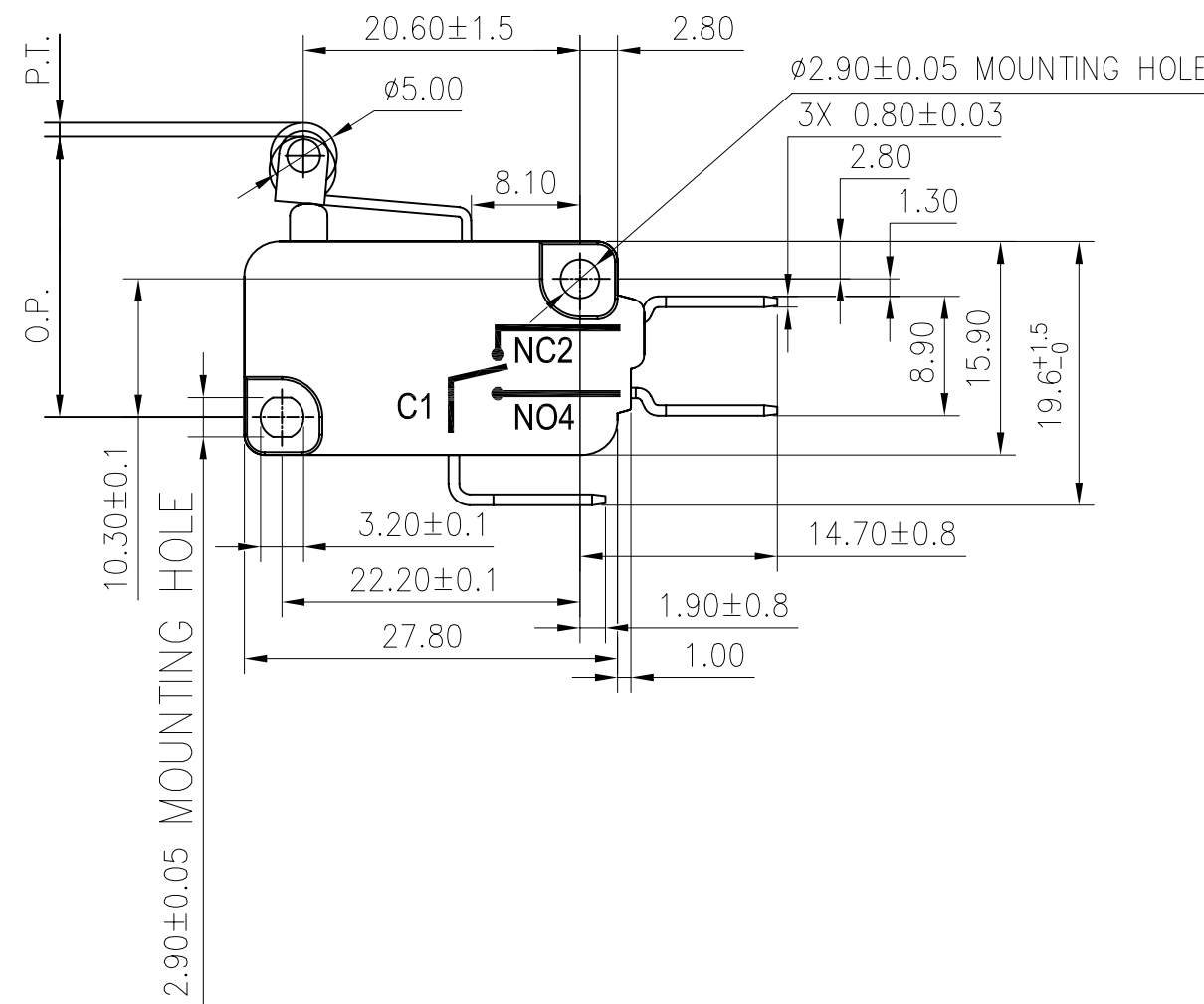
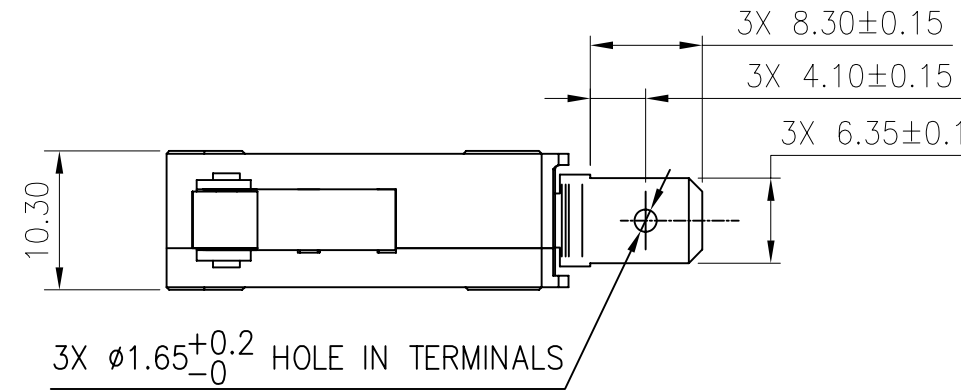




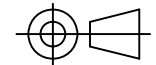

HONEYWELL PART NUMBER
<b>V15H22-CZ100A05-K</b>
PRODUCT CODE
CFW2052

REV	DOCUMENT	CHANGED BY	CHECK
A	0040063	SS 27MAY08	BLR



NOTES:

- TERMINALS WILL ACCEPT 6.35mm WIDE QUICK CONNECT RECEPTACLES AND COMPLY WITH EN61058-1 REQUIREMENTS.

<b>CHARACTERISTICS</b> OPERATING FORCE: 120gf MAX. DIFFERENTIAL FORCE: RELEASE FORCE: 20gf MIN. FREE POSITION: OPERATING POSITION: 20.6±0.8MM. PRE-TRAVEL: 1.6MM MAX. DIFFERENTIAL TRAVEL: 0.4MM MAX. OVER-TRAVEL: 0.8MM MIN. FULL OVERTRAVEL FORCE:	<b>ELECTRICAL DATA</b> CONTACT ARRANGEMENT S.P.D.T  22(8)A 250V~ 25T150 µ  22A 1HP 125/250VAC	<b>DESIGN UNITS: MM</b> TOLERANCES UNLESS NOTED: NO PLACE X ± - ONE PLACE .X ± - TWO PLACE .XX ± 0.40 THREE PLACE .XXX ± - ANGLES X ± 2° THIRD ANGLE PROJECTION 	DRAWN KSR 26MAY08 CHECK RJ 26MAY08	 <b>SWITCH - BASIC</b>				
			THIS DRAWING COVERS A PROPRIETARY ITEM AND IS THE PROPERTY OF HONEYWELL. THIS DRAWING IS NOT TO BE COPIED OR USED WITHOUT THE PERMISSION OF HONEYWELL. INTERPRET PER ASME Y14.5M-1994 OTHER HONEYWELL ENGINEERING STANDARDS MAY APPLY AutoCAD					