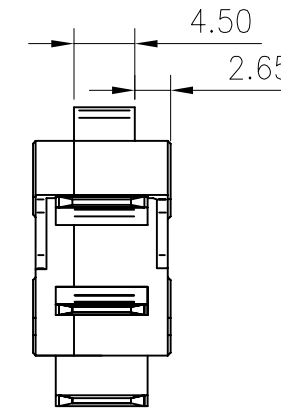
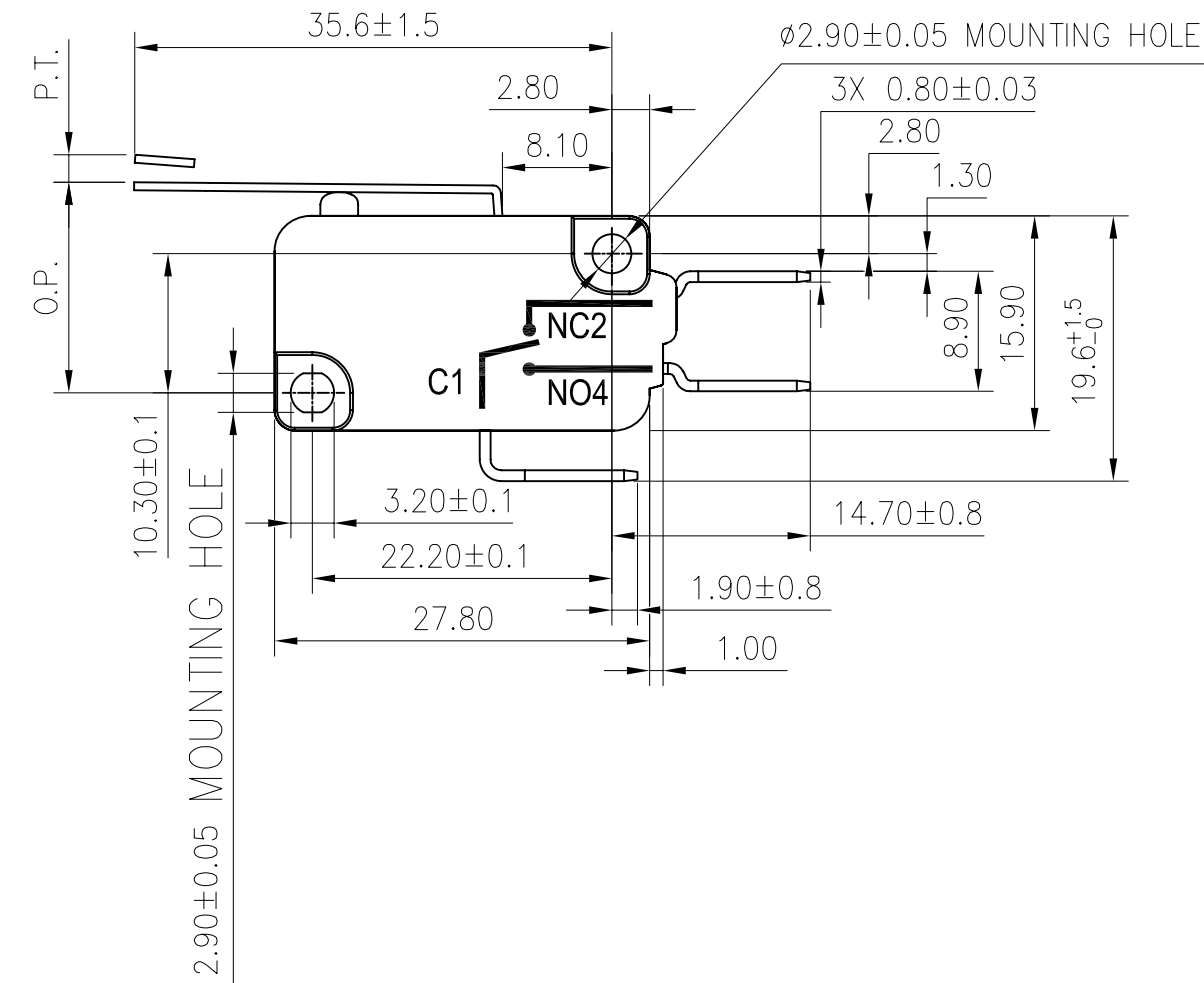
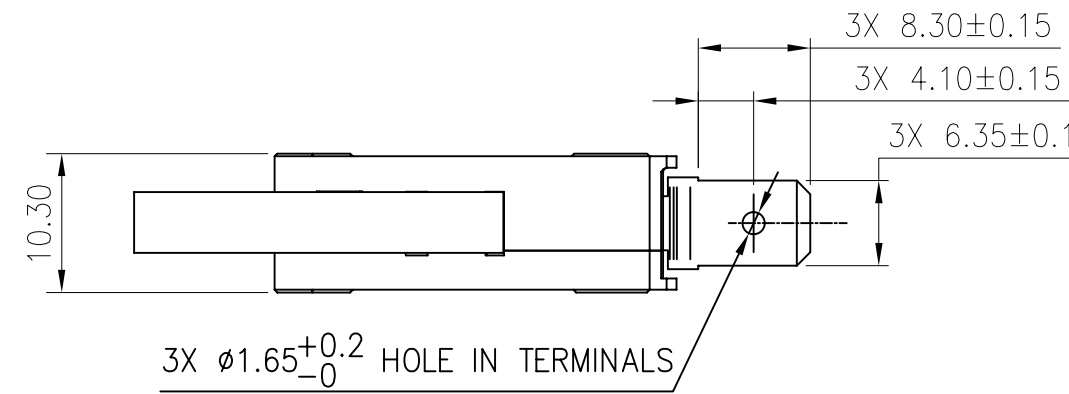


REV	DOCUMENT	CHANGED BY	CHECK
A	0040063	SS 27MAY08	BLR

HONEYWELL PART NUMBER
V15H22-CZ300A02-K
PRODUCT CODE
CFW2069



NOTES:

- TERMINALS WILL ACCEPT 6.35mm WIDE QUICK CONNECT RECEPTACLES AND COMPLY WITH EN61058-1 REQUIREMENTS.

<p>CHARACTERISTICS</p> <p>OPERATING FORCE: 180gf MAX.</p> <p>DIFFERENTIAL FORCE:</p> <p>RELEASE FORCE: 30gf MIN.</p> <p>FREE POSITION:</p> <p>OPERATING POSITION: 15.3±1.5MM.</p> <p>PRE-TRAVEL: 3.2MM MAX.</p> <p>DIFFERENTIAL TRAVEL: 1.2MM MAX.</p> <p>OVER-TRAVEL: 1.3MM MIN.</p> <p>FULL OVERTRAVEL FORCE:</p>		<p>ELECTRICAL DATA</p> <p>CONTACT ARRANGEMENT S.P.D.T</p> <p> 22(8)A 250V~ 25T150 µ</p> <p> 22A 1HP 125/250VAC</p>		<p>DESIGN UNITS: MM</p> <p>TOLERANCES UNLESS NOTED:</p> <p>NO PLACE X ± -</p> <p>ONE PLACE .X ± -</p> <p>TWO PLACE .XX ± 0.40</p> <p>THREE PLACE .XXX ± -</p> <p>ANGLES X ± 2°</p> <p>THIRD ANGLE PROJECTION</p> <p></p>		<p>DRAWN KSR 26MAY08</p> <p>CHECK RJ 26MAY08</p> <p>THIS DRAWING COVERS A PROPRIETARY ITEM AND IS THE PROPERTY OF HONEYWELL. THIS DRAWING IS NOT TO BE COPIED OR USED WITHOUT THE PERMISSION OF HONEYWELL.</p> <p>INTERPRET PER ASME Y14.5M-1994 OTHER HONEYWELL ENGINEERING STANDARDS MAY APPLY</p> <p>AutoCAD</p>		<p><b>Honeywell</b></p> <p>TITLE SWITCH - BASIC</p> <p>SIZE B TYPE I CAGE CODE DRAWING NAME V15H22-CZ300A02-K REV A</p> <p>SCALE NTS SHEET 1 OF 1</p>			
---	--	--	--	--	--	---	--	---	--	--	--