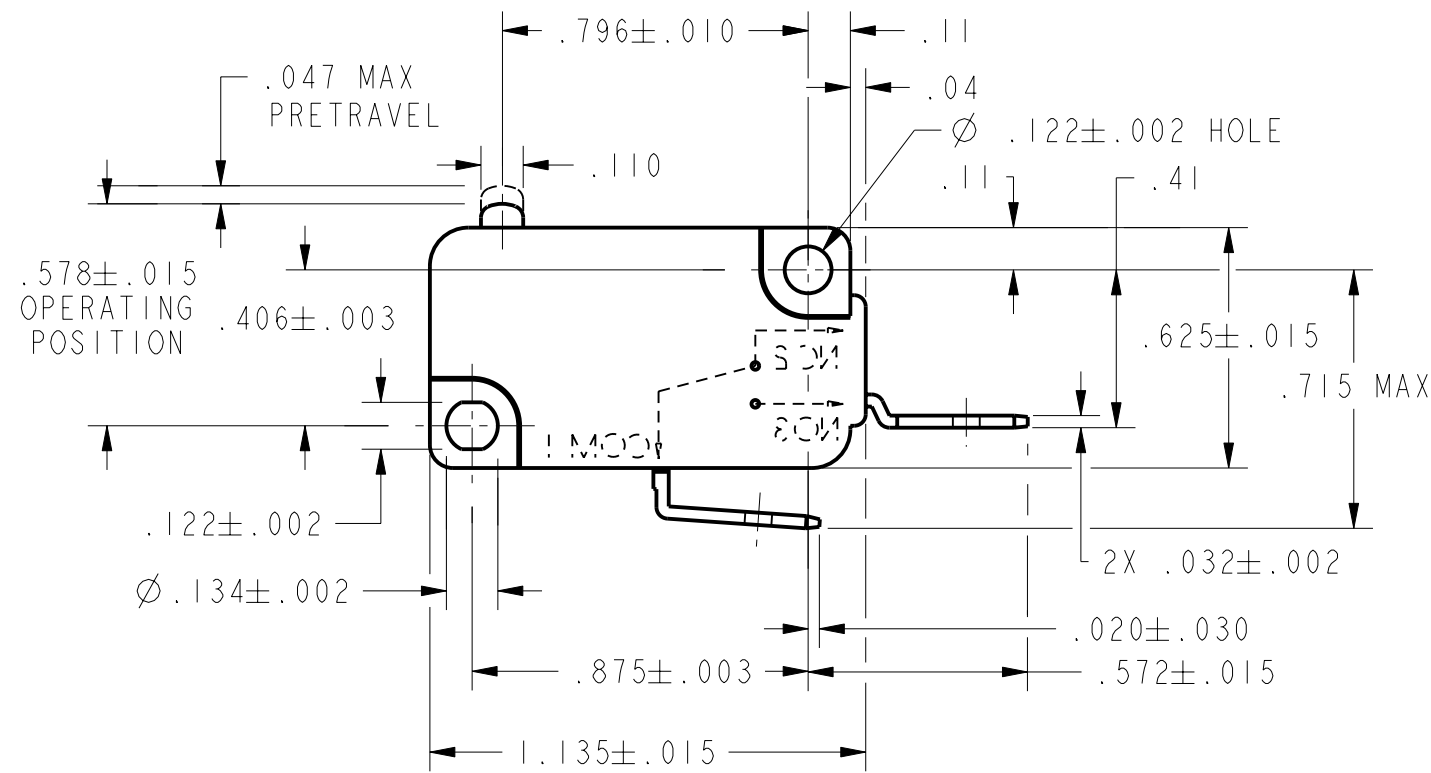
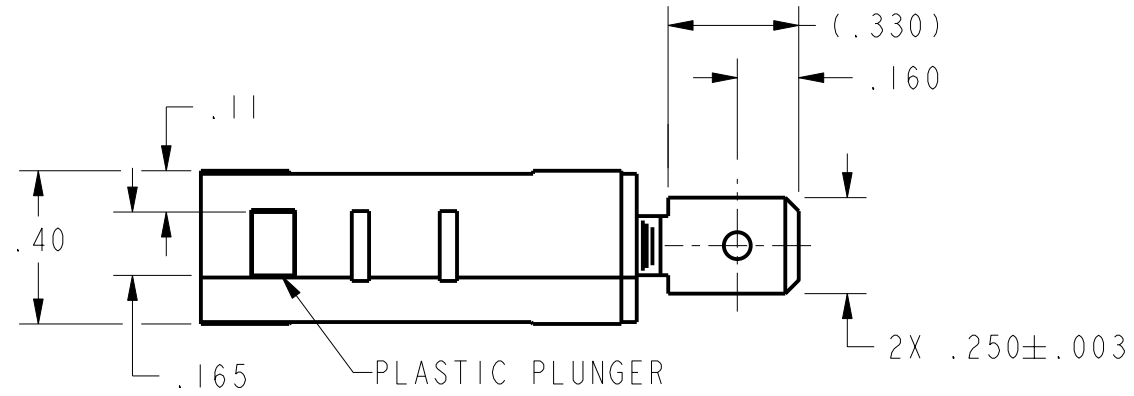





REV	DOCUMENT	CHANGED BY	CHECK
4	207406	CSL 12FEB03	SAV

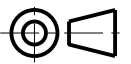


NOTES

1 - MAXIMUM MECHANICAL DEAD BREAK OF .0025 MAY BE EXPECTED WITH THIS SWITCH CONSTRUCTION

CHARACTERISTICS	
OPERATING FORCE-----	225 GRAMS MAX
RELEASE FORCE-----	20 GRAMS MIN
DIFFERENTIAL TRAVEL-----	.010 MAX
OVERTRAVEL-----	.050 MIN
FREE POSITION-----	.625 MAX
RELEASE TRAVEL-----	.010 MIN

ELECTRICAL DATA	
CONTACT ARRANGEMENT S P N O	
L303 22A, 125, 250, 277 VAC 1HP, 125 VAC 2HP, 250 VAC	
  	

UNLESS OTHERWISE SPECIFIED TOLERANCES ARE:			
	<input checked="" type="checkbox"/> US (inch) CUSTOMARY	<input type="checkbox"/> SI (mm) METRIC	
NO PLACE	X	±.040	±1
ONE PLACE	.X	±.030	±0,4
TWO PLACE	.XX	±.015	±0,15
THREE PLACE	.XXX	±.005	±
ANGLES		±	±
RAW MATERIAL-COMMERCIAL STANDARD			
THIRD ANGLE PROJECTION			
			

DRAWN	DLT	22MAY01
CHECK	SAV	22MAY01
THIS DRAWING COVERS A PROPRIETARY ITEM AND IS THE PROPERTY OF HONEYWELL. THIS DRAWING IS NOT TO BE COPIED OR USED WITHOUT THE PERMISSION OF HONEYWELL.		
PTC 2D	ASME Y14.5M-1994	

<b>Honeywell</b>			
TITLE <b>SWITCH, BASIC</b>			
SIZE	DWG TYPE	DRAWING NAME	REV
<b>B</b>	<b>I</b>	<b>V7-1K20E9</b>	<b>4</b>
SCALE	NONE	WEIGHT	SHEET 1 OF 1