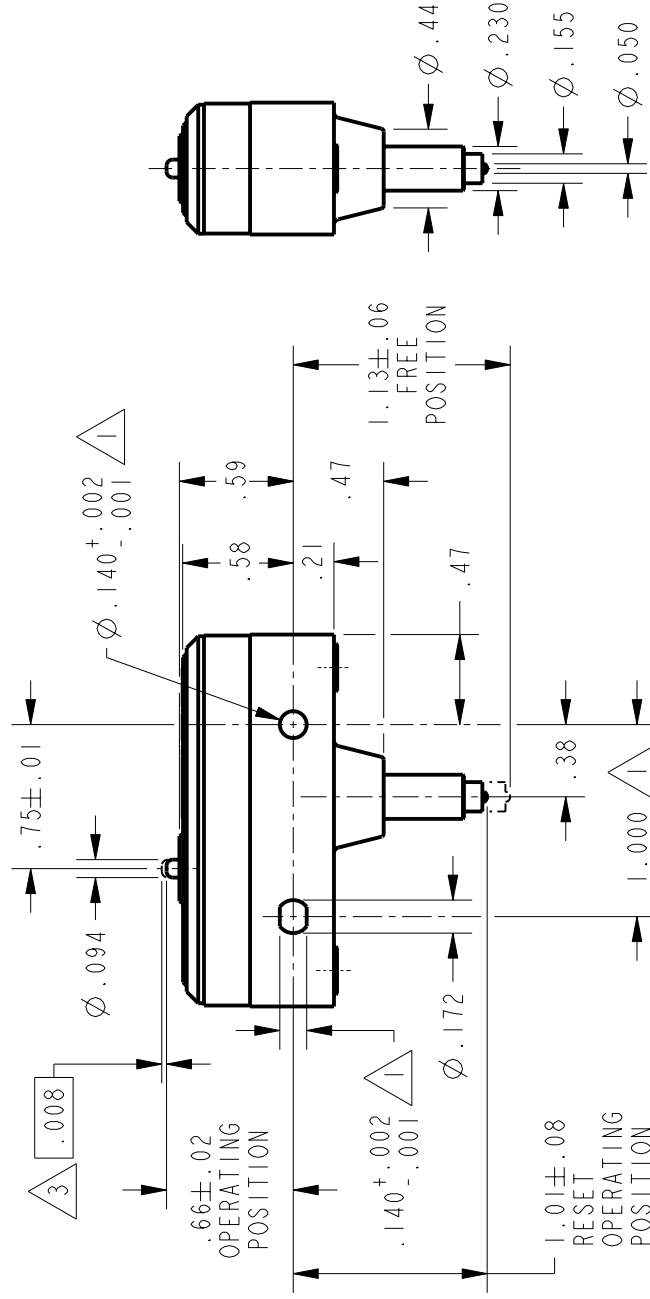
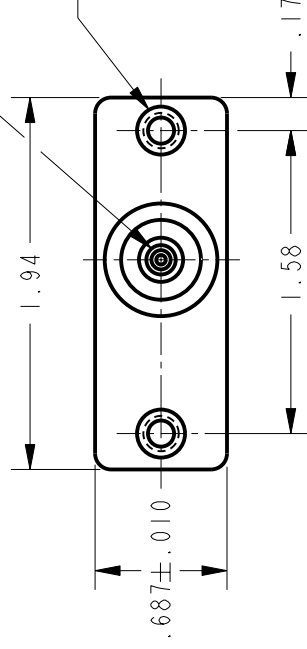


CATALOG LISTING		PAGE 1 OF 1	
WA-IRX38-A41		RELEASE NO. PR-17930	
7		REPLACES -	
ISSUE		CHECK	



RED PLASTIC
RESET BUTTON

2X 8-32 UNC THREAD
∇.172 MIN INSERTS FOR
TERMINAL CONNECTION



NOTES

- 1 MOUNTING HOLES WILL ACCEPT PINS OR SCREWS OF $\varnothing .139$ MAX ON $1.000 \pm .002$ CENTERS
- 2 SWITCH WILL NOT RECYCLE OR ACT AS A MOMENTARY ACTION SWITCH IF PIN PLUNGER IS RELEASED WHEN RESET PLUNGER IS CONTINUALLY DEPRESSED
- 3 SWITCH MUST BE CAPABLE OF BEING RESET WHEN PIN PLUNGER IS RELEASED
- 4 CONTACT MATERIAL - GOLD CLAD FINE SILVER

ANSI Y14.5M-1982 APPLIES

THIS DRAWING COVERS A PROPRIETARY ITEM AND IS THE PROPERTY OF MICRO SWITCH, A DIVISION OF HONEYWELL. THIS DRAWING IS NOT TO BE COPIED OR USED WITHOUT THE APPROVAL OF MICRO SWITCH.

CHARACTERISTICS	ELECTRICAL DATA		SCALE		THIRD ANGLE PROJECTION
	CONTACT ARRANGEMENT		FULL	SCALE PRINT	
OPERATING FORCE - - - - - 4-16 OZ	SINGLE POLE NORM CLOSED MAINTAINED CONTACT		UNLESS OTHERWISE SPECIFIED TOLERANCES ARE		DO NOT SCALE PRINT
OVERTRAVEL - - - - - .010 MIN	L178		ONE PLACE (.0)	±.030	
RESET CHARACTERISTICS	20A 125, 250, 277 VAC		TWO PLACE (.00)	±.015	+
OPERATING FORCE - - - - - 32 OZ MAX	3/4 HP 125 VAC, 1 1/2 HP 250 VAC		THREE PLACE (.000)	±.005	
OVERTRAVEL - - - - - .040 MIN	L288 L299 L308		ANGLES		
			WEIGHT		
	20(3)A 250V ~ T85 5E4				